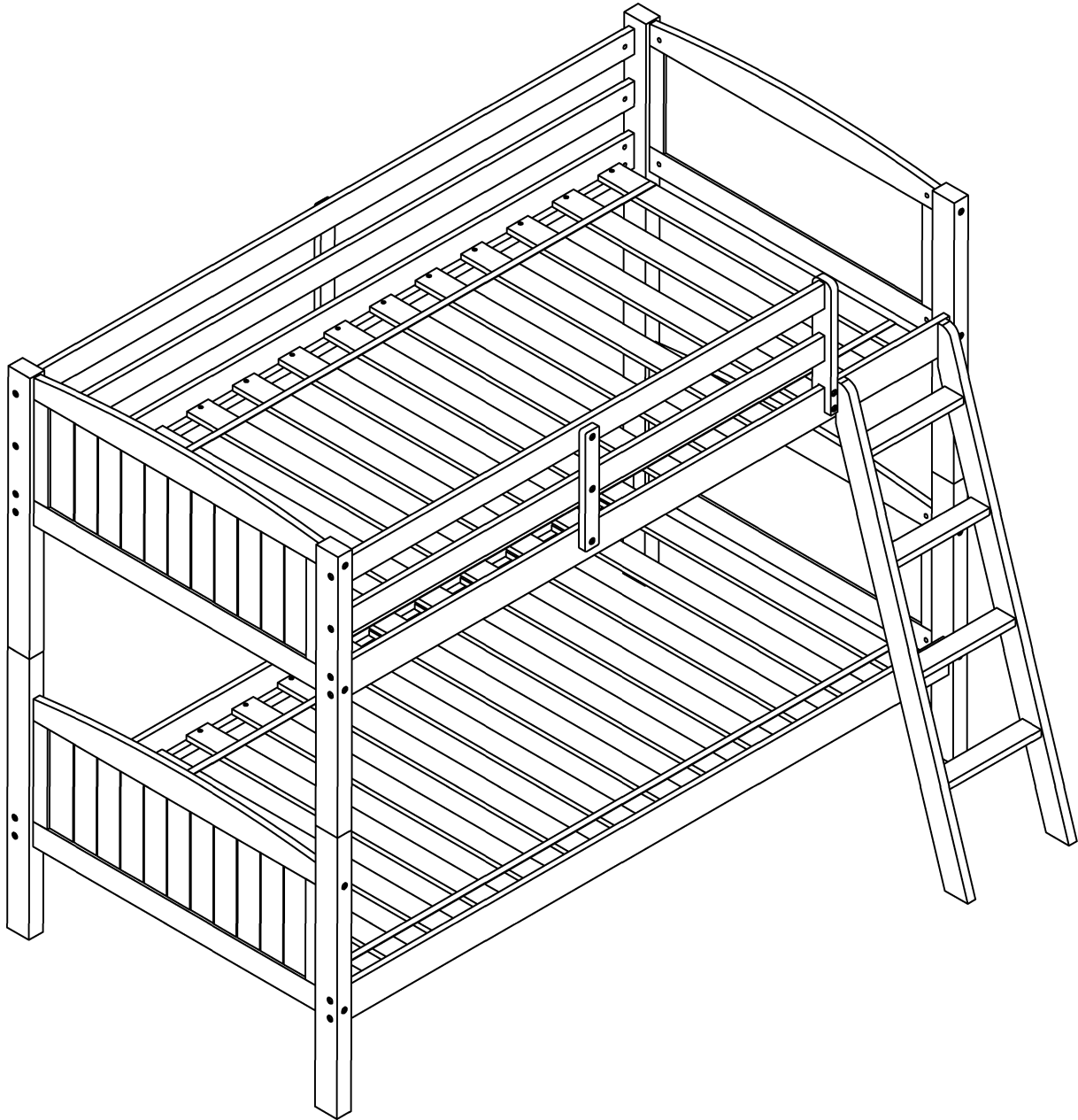


# ASSEMBLY INSTRUCTIONS

SKU:AYB



175 Southbelt Industrial Dr  
Houston, TX 77047  
Email: [info@eastwestfurniture.net](mailto:info@eastwestfurniture.net)



Description : Albury Twin Bunk Bed  
Dimension : 2020 x 1474 x 1587 Hmm

Albury Twin Bunk Bed

## BEFORE ASSEMBLY

Thank you for purchasing this quality product. This product has been designed for easy assembly and constructed for durability. Please take the time to read and follow the assembly instructions carefully.



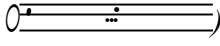

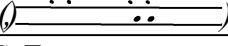
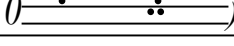
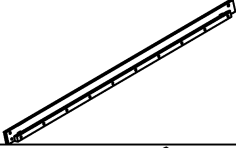
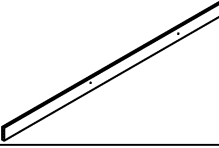
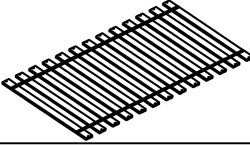
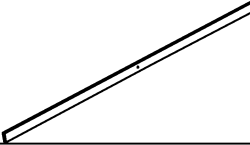
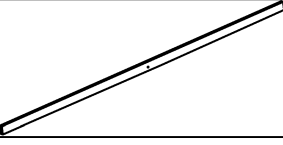


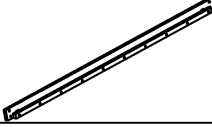
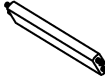
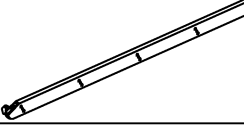
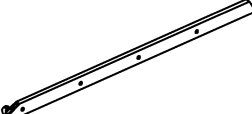
Be sure to check all packing material carefully for small parts which may have come loose inside the carton during shipment. Please separate, identify, and count all parts and metal hardware. Compare with part list to be sure all parts are present.

If hardware is missing or you have difficulty assembling this product, please call for us.

### IMPORTANT NOTE:

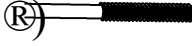




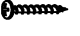
- Place all wooden parts on a clean and smooth surface such as a rug or carpet to avoid the parts from being scratched.
- Remove all wrapping material, including staples & packing straps before you start to assemble.
- DO NOT tighten all screws and bolts until completely assembled.
- Keep all hardware parts out of reach of children.

## PART LIST

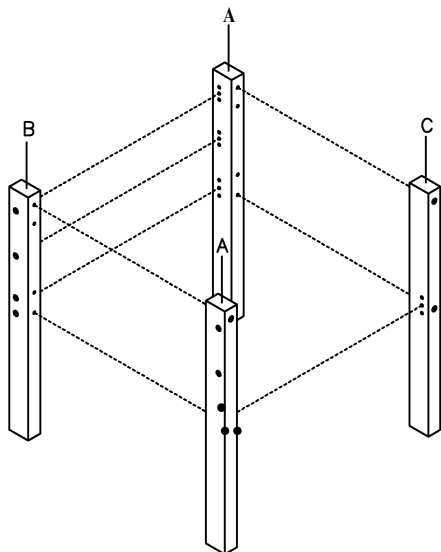
NO	Description	QTy	Sketch	NO	Description	QTy	Sketch
<b>BOX A: A+B+C+D+M+N</b>							
A	Upper left post	2		B	Upper right post	1	
C	Upper right post	1		D	Head/foot board	4	
M	Lower right post	2		N	Lower left post	2	
<b>BOX B: E+F+G+H+J+K+L+P+R+S+T</b>							
E	Upper back side rail	1		F	Top front side rail	1	
G	Slats rolls	2		H	Front guard rail	2	
J	Back guard rail	2		K	Guard rail support	2	
L	Head Guard rail bar	1		p	Lower side rail	2	
R	Ladder rungs	4		S	Left ladder	1	
T	Right ladder	1					

**Albury Twin Bunk Bed**

## HARDWARE LIST

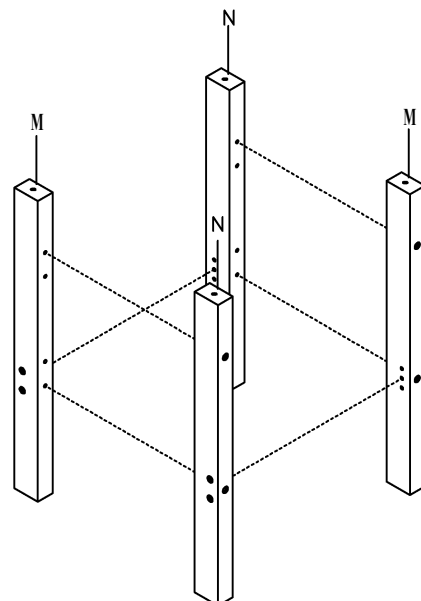
NO	Description	Q'Ty	Sketch	NO	Description	Q'Ty	Sketch
1	Head hex bolts 1/4" X 100mm	16		2	Head hex bolts 1/4" x 85mm	22	
3	Head hex bolts 1/4" x 65mm	2		4	Dowel nuts 1/4"xϕ10x12mm	40	
5	Head hex screws M7 x 30mm	8		6	Head hex screws M7 x 50mm	8	
7	Steel dowels ϕ10 x L90mm	4		8	Wood dowels ϕ8 x 30mm	40	
9	Alenkey 4mm	1		10	Wood screws M4 x 30mm	52	
11	Wood dowels ϕ10 x 45mm	4		12	Wood screws M4 x 15mm	2	

Upper Post x 4



A - Left Front & Right Back Upper Post x 2  
 B - Left back Upper Post x 1  
 C - Right Front Upper Post x 1

Lower Post x 4

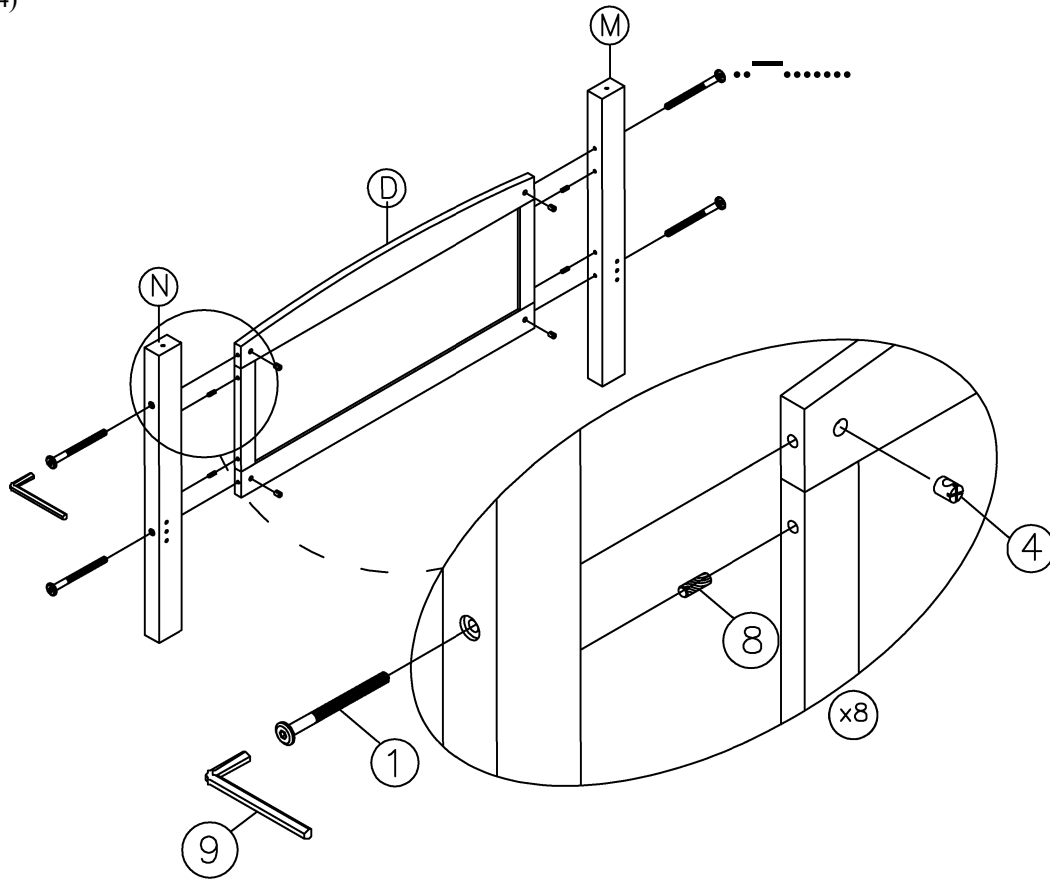


M - Left Back & Right Front Lower Post x 2  
 N - Left Front & Right Back Lower Post x 2

**Albury Twin Bunk Bed**

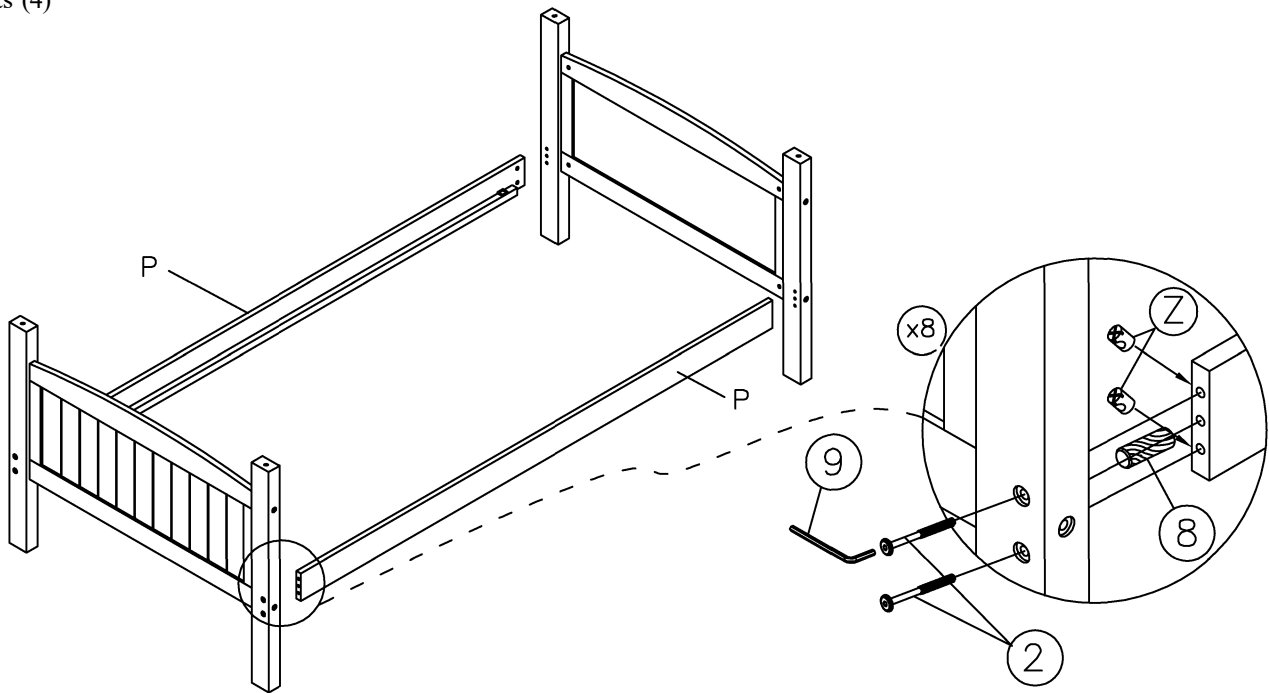
## !STEP 1 : Lower head/ foot assy assembly

LOWER BUNK ASSEMBLY : Use alenkey (9) assembly head board & foot board (D) with lower post (M&N) by bolts (1) & nuts (4)



## !STEP 2 : Lower bunk assembly

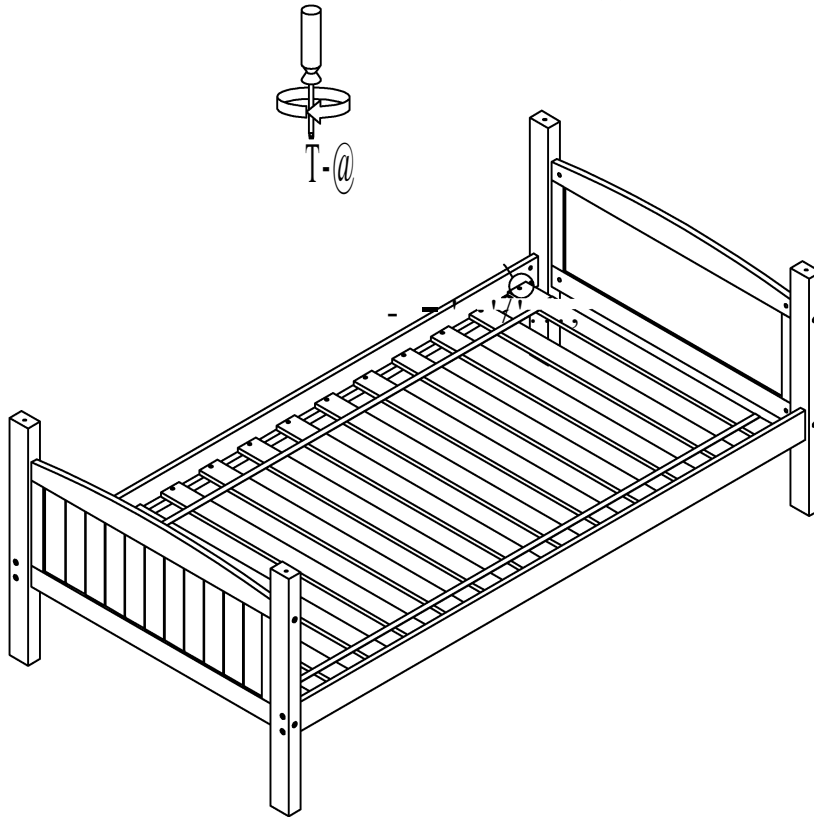
LOWER BUNK ASSEMBLY : Use alenkey (9) assembly lower head board assy with lower side rails (P) by bolts (2) & nuts (4)



Albury Twin Bunk Bed

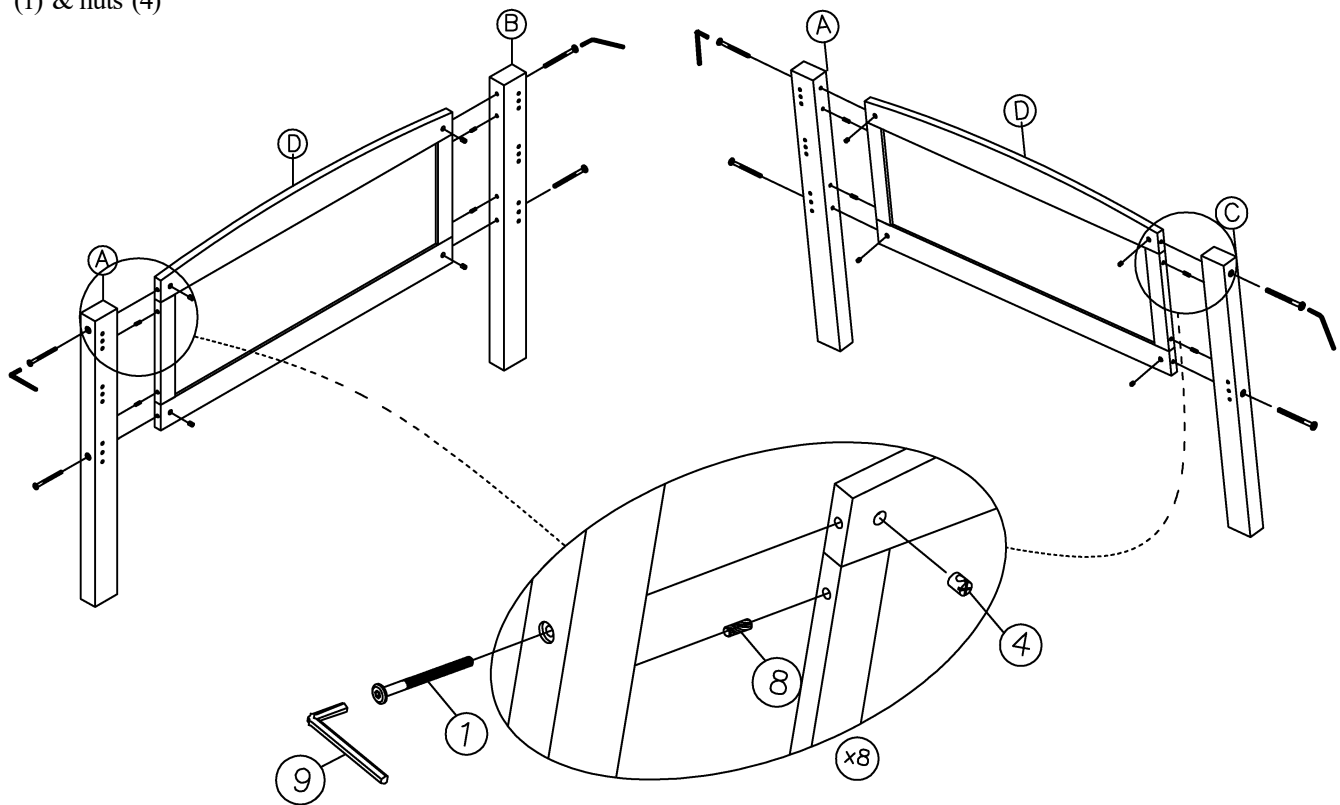
### !STEP 3 : Fix slats roll

LOWER BUNK ASSEMBLY: Use screwdriver fix each slats on slats roll (G) with lower side rails (P) by screws (10)



### !STEP 4 : Upper head/ foot assy assembly

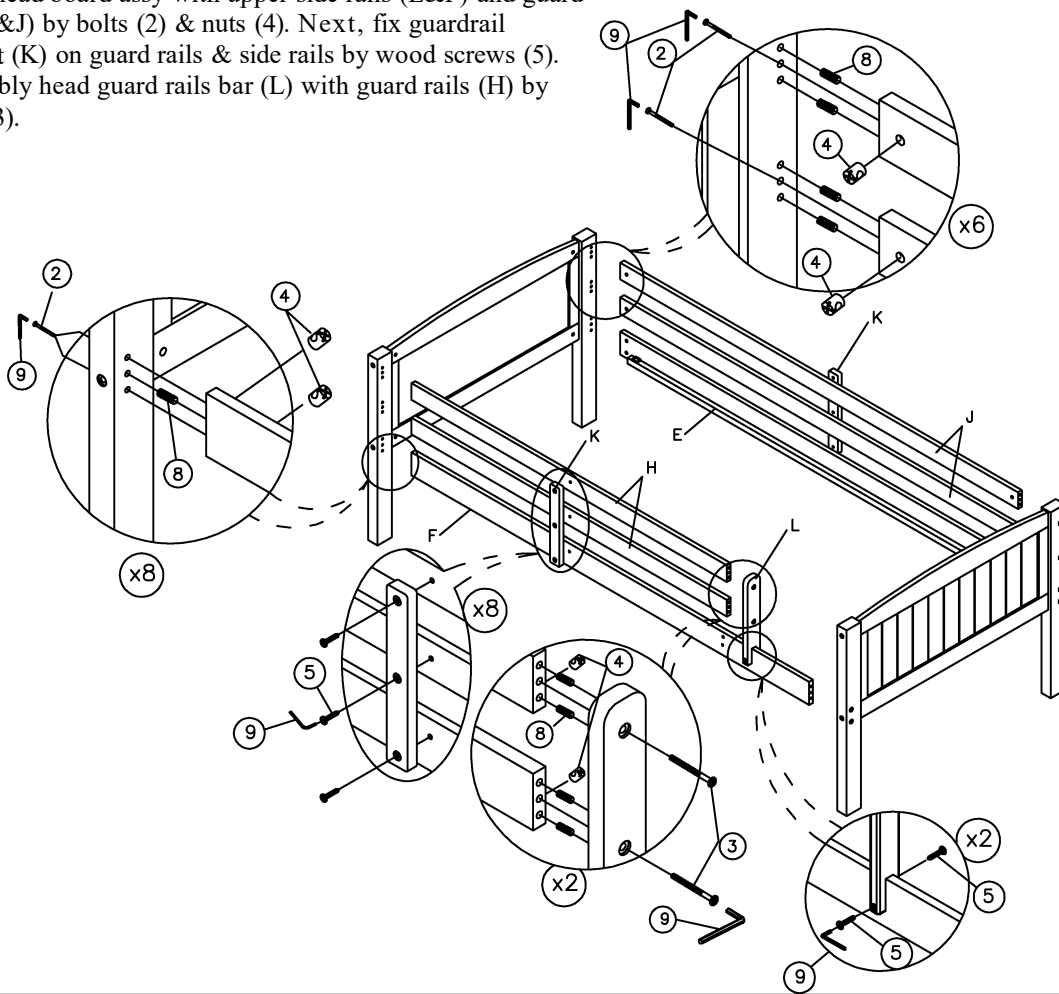
UPPER BUNK ASSEMBLY : Use alenkey (9) assembly head board & foot board (D) with upper post (A,B&C) by bolts (1) & nuts (4)



Albury Twin Bunk Bed

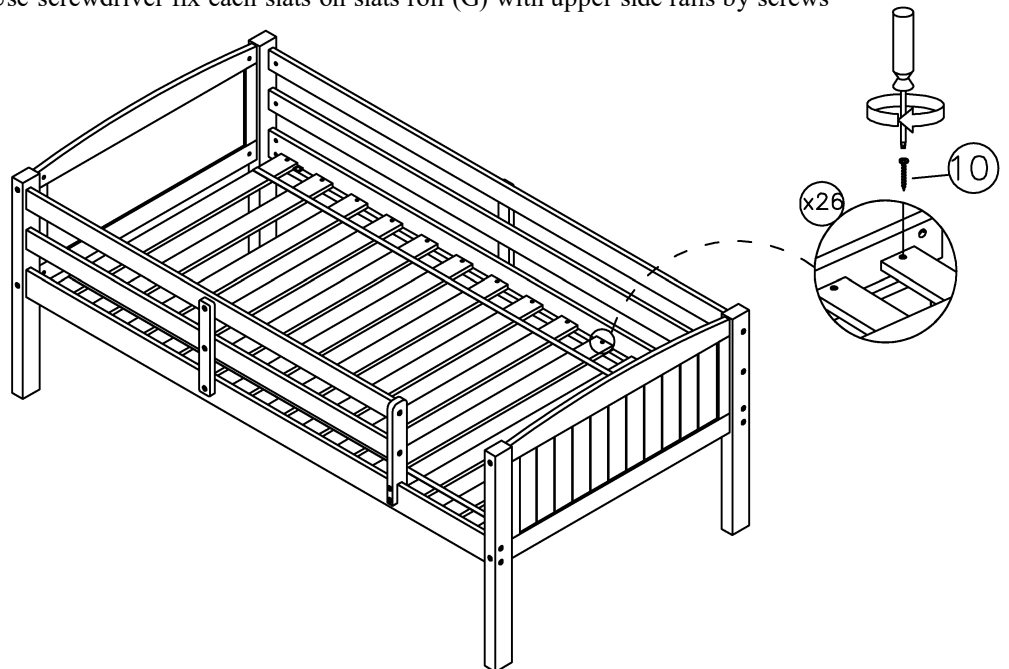
## !STEP 5 : Upper bunk assembly

UPPER BUNK ASSEMBLY : Use allenkey (9) assembly upper head board assy with upper side rails (E&F) and guard rail (H&J) by bolts (2) & nuts (4). Next, fix guardrail support (K) on guard rails & side rails by wood screws (5). Assembly head guard rails bar (L) with guard rails (H) by bolts (3).



## STEP 6 : Fix upper slats roll

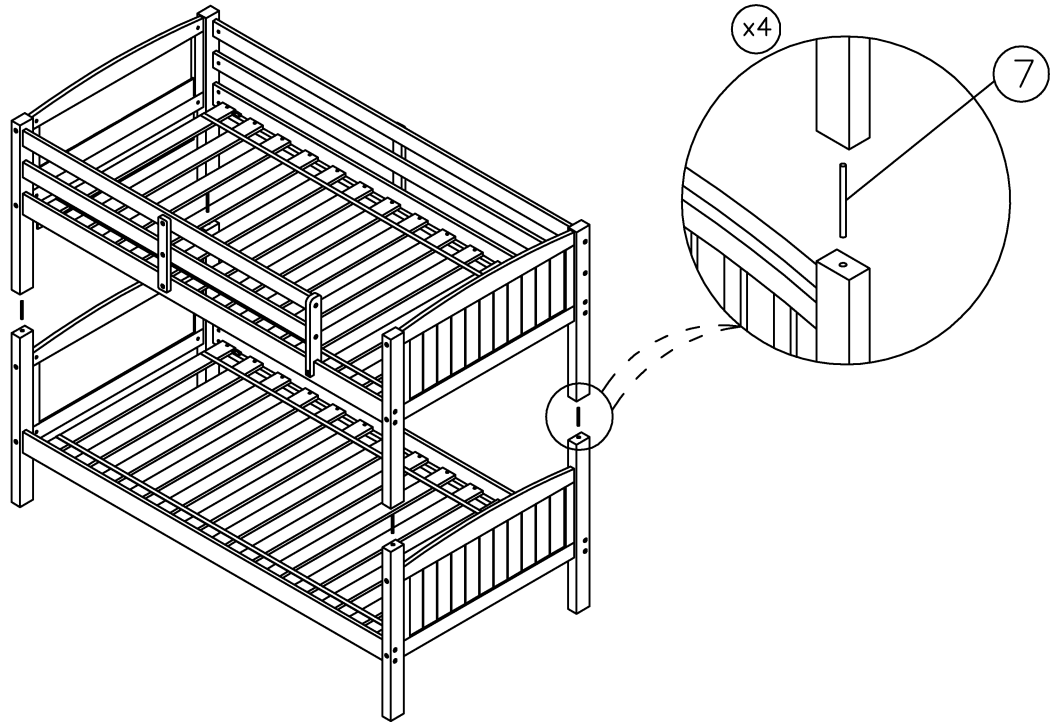
UPPER BUNK ASSEMBLY : Use screwdriver fix each slats on slats roll (G) with upper side rails by screws (10)



Albury Twin Bunk Bed

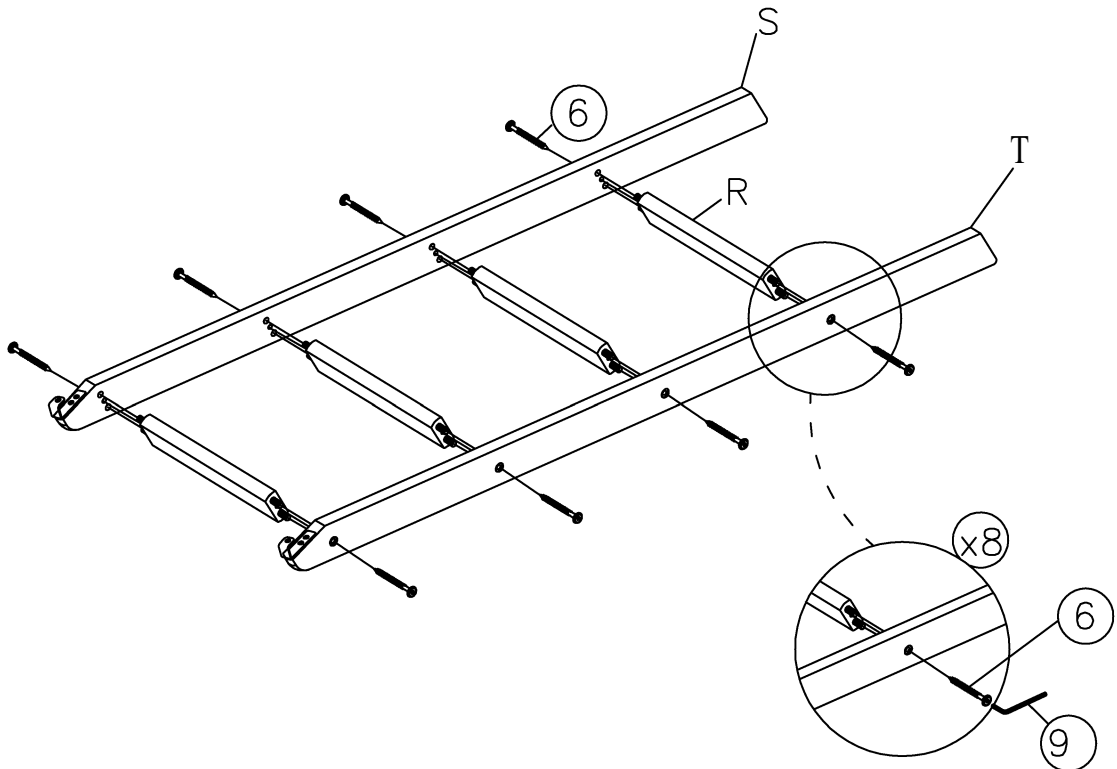
## !STEP 7 :Bunk bed assembly

BUNK BED ASSEMBLY : Put upper bunk on lower bunk follow dowel (7)



## !STEP 8 :Ladder assembly

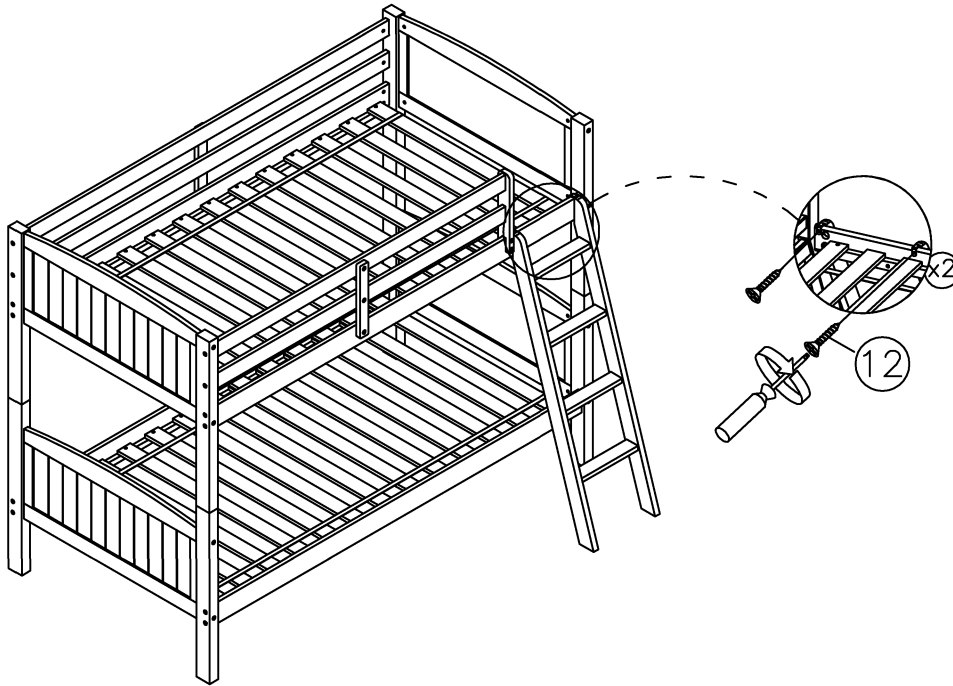
LADDER ASSEMBLY : Put 2 ladder (S&T) parallel and assembly ladder rungs (R) by screws (6)



Albury Twin Bunk Bed

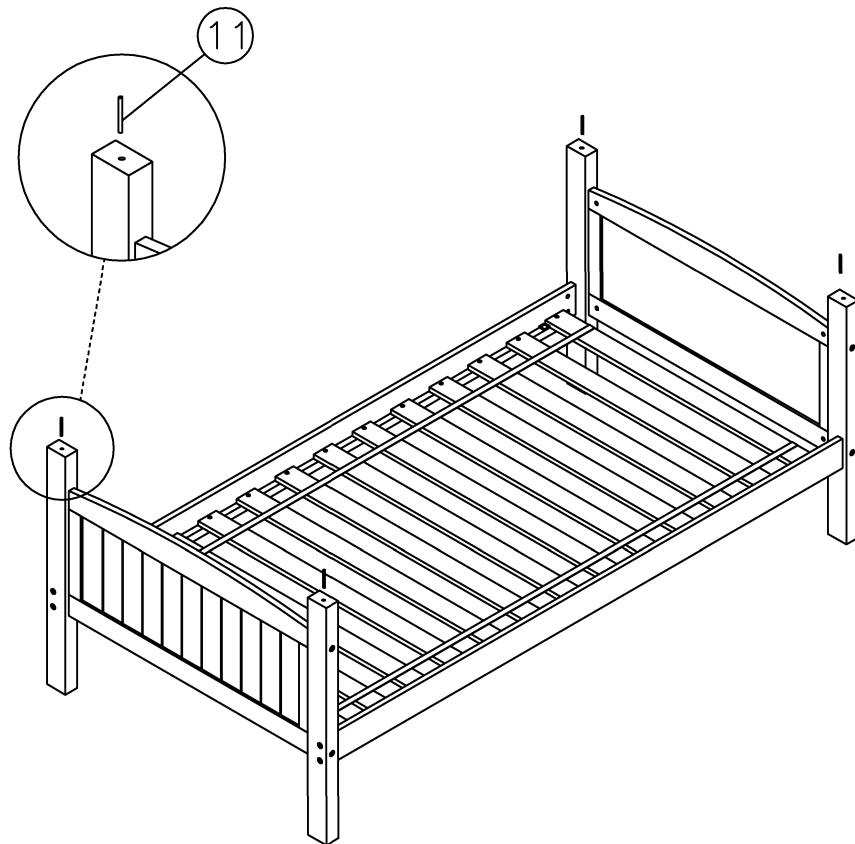
## !STEP 9 :Ladder assembly

LADDER ASSEMBLY : Fix ladder on upper bunk by screws (12)



## !STEP 10 : Make separate beds

Put dowel (11) in 4 hole (lower post)



For use as separate beds follow assembly instructions 1-3 and 10.

NOTE: The use of the guard rails is optional if the beds will be used separately.

**Albury Twin Bunk Bed**