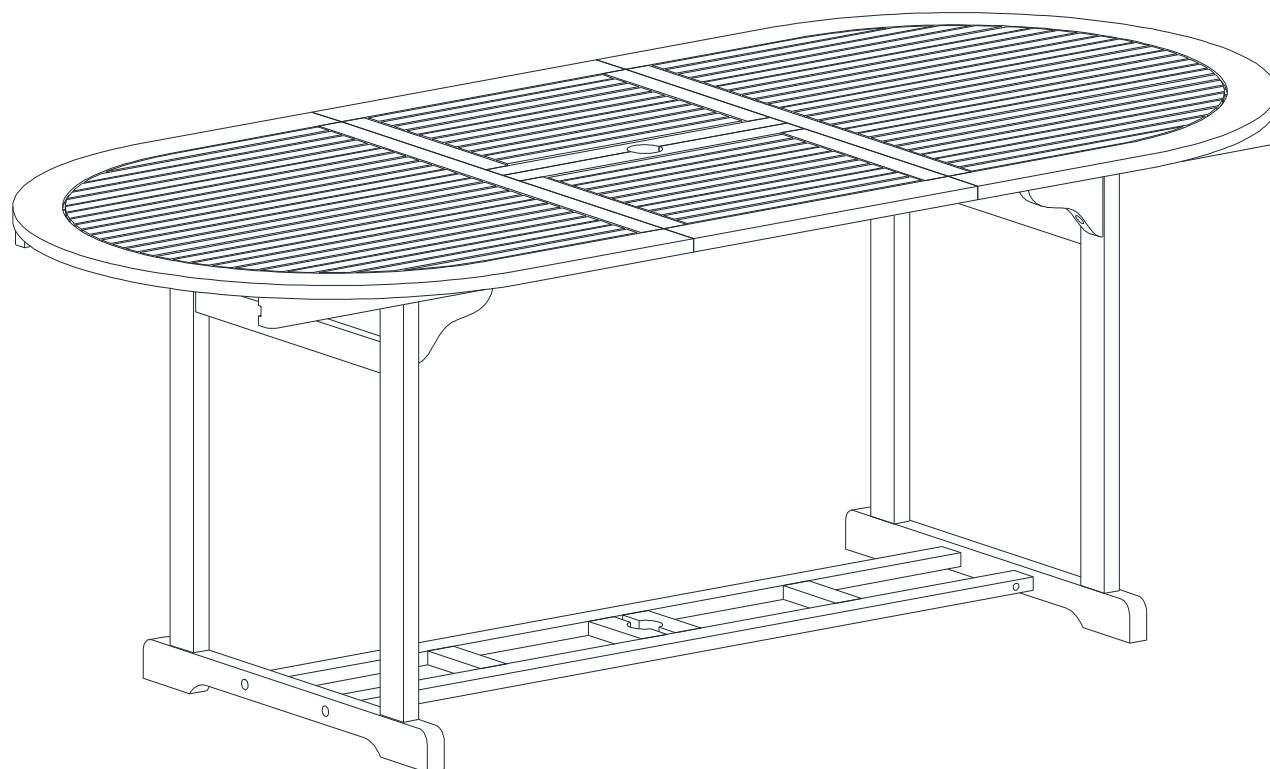


# ASSEMBLY INSTRUCTIONS

SKU: BBSTXNA



175 Southbelt Industrial Dr  
Houston, TX 77047  
info@eastwestfurniture.net



Description : Beasley Wooden Extension Table  
Dimension : 78.7"/59.1".Lx 35.4".W x 29.5".H  
Cube Size : 61.2"x37.4"x7.3"

NW: 54 LBS  
GW: 64.5 LBS

Beasley Wooden Extension Table

## BEFORE ASSEMBLY

Thank you for purchasing this quality product. This product has been designed for easy assembly and constructed for durability. Please take the time to read and follow the assembly instructions carefully.

Be sure to check all packing material carefully for small parts which may have come loose inside the carton during shipment. Please separate, identify, and count all parts and metal hardware. Compare with part list to be sure all parts are present.

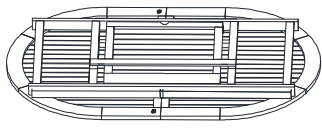
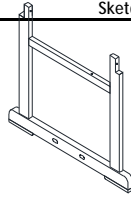

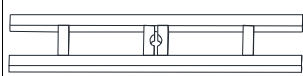
If hardware is missing or you have difficulty assembling this product, please call for us.

### IMPORTANT NOTE:

- Place all wooden parts on a clean and smooth surface such as a rug or carpet to avoid the parts from being scratched.
- Remove all wrapping material, including staples & packing straps before you start to assemble.
- DO NOT tighten all screws and bolts until completely assembled.
- Keep all hardware parts out of reach of children.




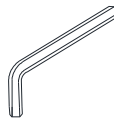
## PART LIST

When unpacking, please be careful not to discard any parts with the packaging. Before continuing, please make sure you have the following parts:

NO	Description	Qty	Sketch	NO	Description	Qty	Sketch
A	Top	1		B	Table Leg	2	
C	Side Panel	4		D	Stretcher	1	

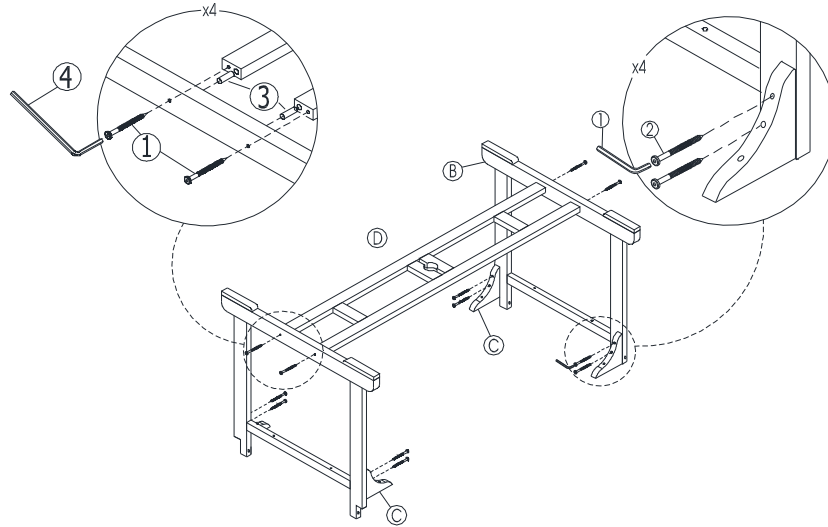
## HARDWARE LIST

When unpacking, please be careful not to discard any parts with the packaging. Before continuing, please make sure you have all of the following hardware:

NO	Description	Qty	Sketch	NO	Description	Qty	Sketch
1	Wood Screw (M6x90)	4		2	Wood Screw (M6x50)	16	
3	Dowel (Ø10x40)	4		4	Allen key (M4mm)	1	

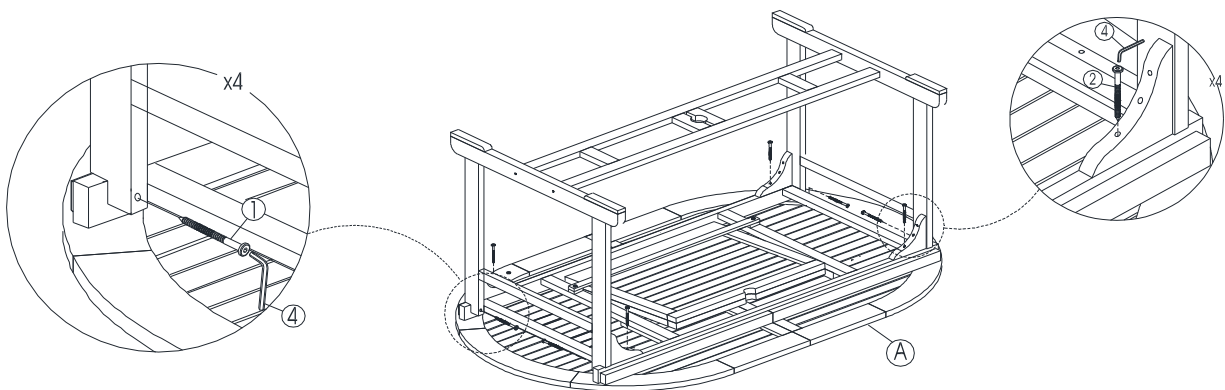
## STEP 1

Attach legs (B) to the Stretcher (D) with Allen Screw (1) and Dowel (3). Attach Side panel (C) to the Leg (B) with Allen Screw (2), Tighten with the Allen Key (4).



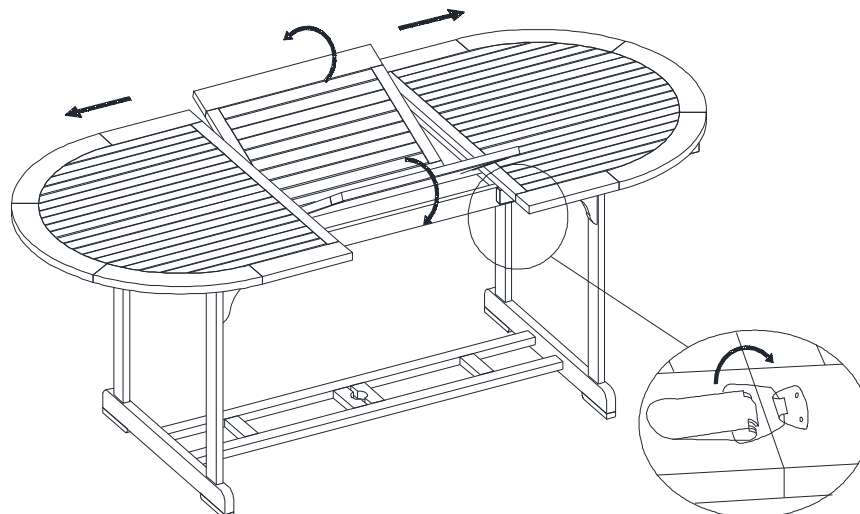
## STEP 2

Attach legs (B) to the Top (A) with Wood Screw (1). Tighten with the Allen Key (4).



## STEP 3

Open **center leaf** as shown below.



Beasley Wooden Extension Table