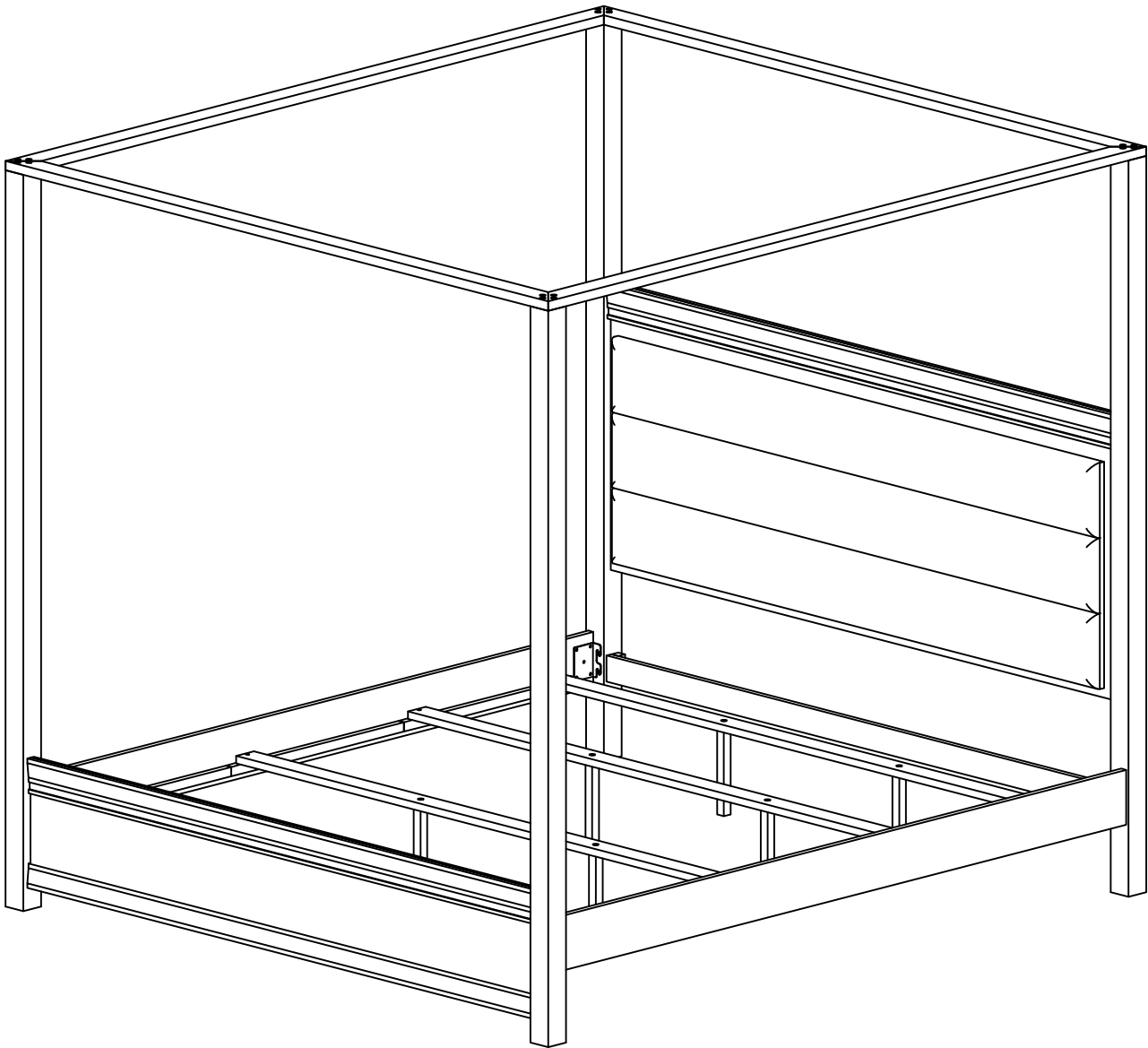


# ASSEMBLY INSTRUCTIONS

SKU : DEH-20-K

  
**EAST WEST**  
FURNITURE, LLC  
175 Southbelt Industrial Dr,  
Houston, TX 77047  
Email : info@eastwestfurniture.net



Description : Denali King Bed

Dimension : 86.10" x 78.11" x 78.54" H

Denali King Bed

## BEFORE ASSEMBLY

Thank you for purchasing this quality product. This product has been designed for easy assembly and constructed for durability. Please take the time to read and follow the assembly instructions carefully.

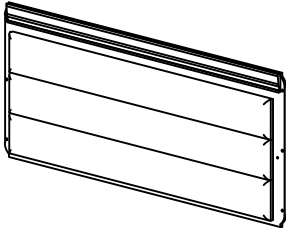
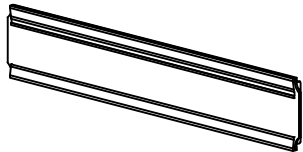


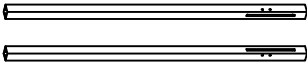
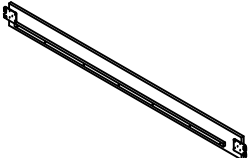
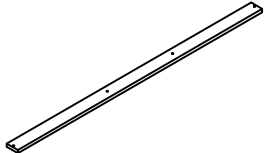



Be sure to check all packing material carefully for small parts which may have come loose inside the carton during shipment. Please separate, identify, and count all parts and metal hardware. Compare with part list to be sure all parts are present.

If hardware is missing or you have difficulty assembling this product, please call for us.

**IMPORTANT NOTE:**








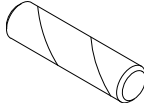
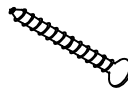

- Place all wooden parts on a clean and smooth surface such as a rug or carpet to avoid the parts from being scratched.
- Remove all wrapping material, including staples & packing straps before you start to assemble.
- DO NOT tighten all screws and bolts until completely assembled.
- Keep all hardware parts out of reach of children.

## PART LIST

NO	Description	Q'Ty	Sketch	NO	Description	Q'Ty	Sketch
BOX A : A+B+C							
A	Headboard panel	1		B	Footboard panel	1	
C	Support bar	1					
BOX B : D+E+F+G+H+I+K							
D	Headboard Post	2		E	Footboard Post	2	
F	Side rails	2		G	Slats	4	
H	Center support legs	8		I	Long canopy	2	
				K	Short canopy	2	

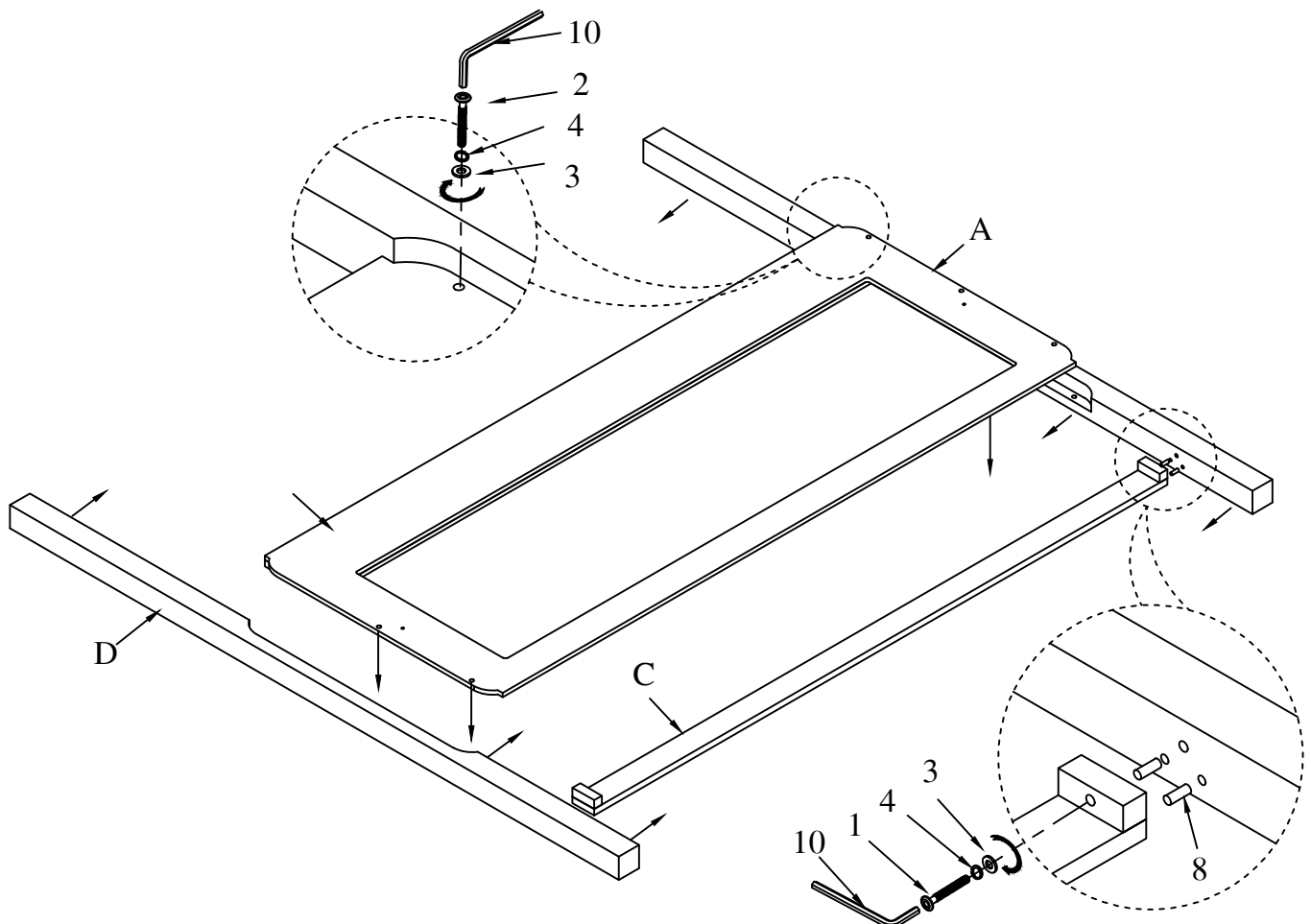
Denali King Bed

## HARDWARE LIST

NO	Description	Q'Ty	Sketch	NO	Description	Q'Ty	Sketch
1	Allen Head bolts 1/4" x 45mm	22		2	Allen Head bolts 1/4" x 35mm	6	
3	Flat Washer Ø1/4"	12		4	Lock Washer Ø1/4"	12	
5	Allen Head bolts 5/16" x 20mm	8		6	Flat Washer Ø5/16"	8	
7	Lock Washer Ø5/16"	8		8	Wood Dowels Ø8 x 30mm	4	
9	Screws Ø8 x 30mm	8		10	Allen key	1	

### STEP 1 : Assemble headboard

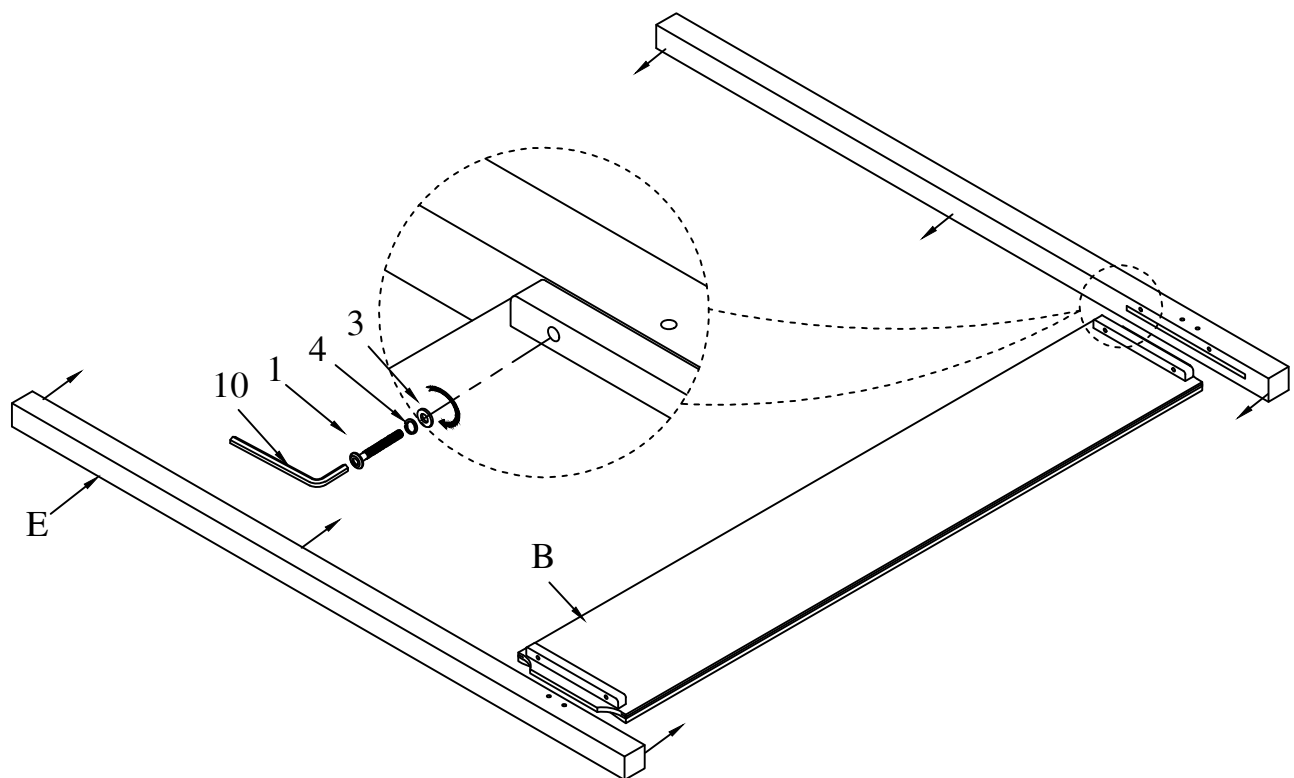
Assemble horizontal support bar (C) with headboard post (D) by Bolt (1) , Lock washer (4) , flat washer (3) and dowels (8) . Assemble headboard panel (A) with headboard post (D) by Bolt (2) , Lock washer (4) , flat washer (3)



Denali King Bed

## STEP 2 : Assemble Footboard

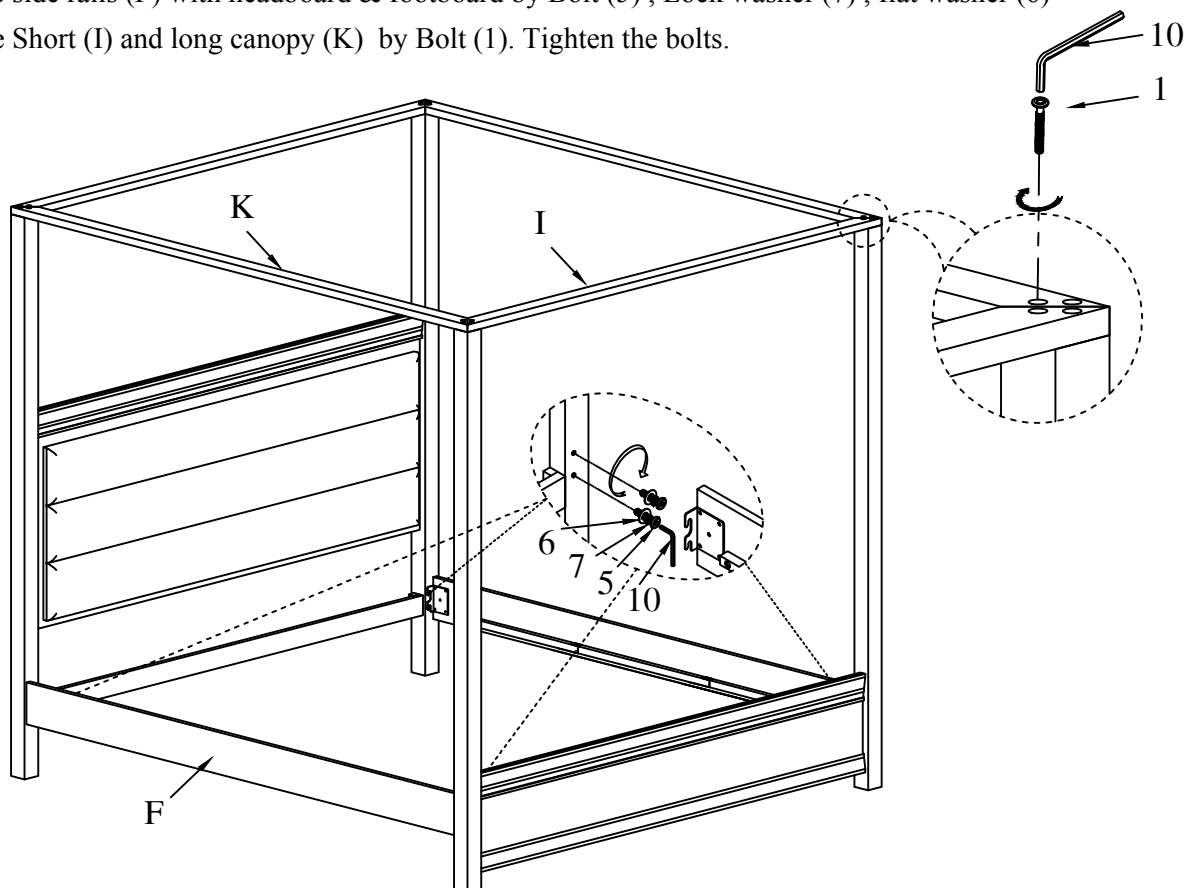
Assemble footboard panel (B) with footboard post (E) by Bolt (1) , Lock washer (4) , flat washer (3)



## STEP 3 : Assemble side rails

Assemble side rails (F) with headboard & footboard by Bolt (5) , Lock washer (7) , flat washer (6)

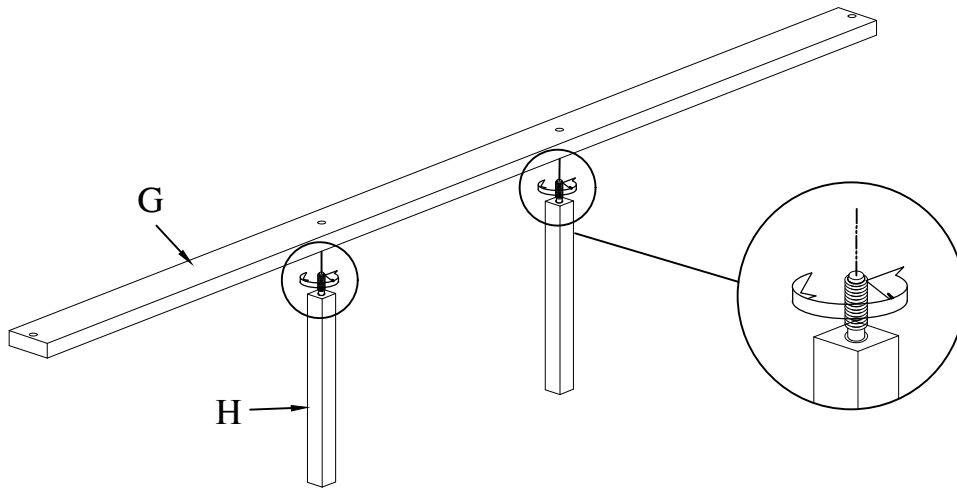
Assemble Short (I) and long canopy (K) by Bolt (1). Tighten the bolts.



Denali King Bed

## STEP 4 : Assemble support legs

Assemble the support legs (H) with Slats (G)



## STEP 5 : Attach slats

Attach the slats (G) to side rails with the screws (9) and a screw driver

