

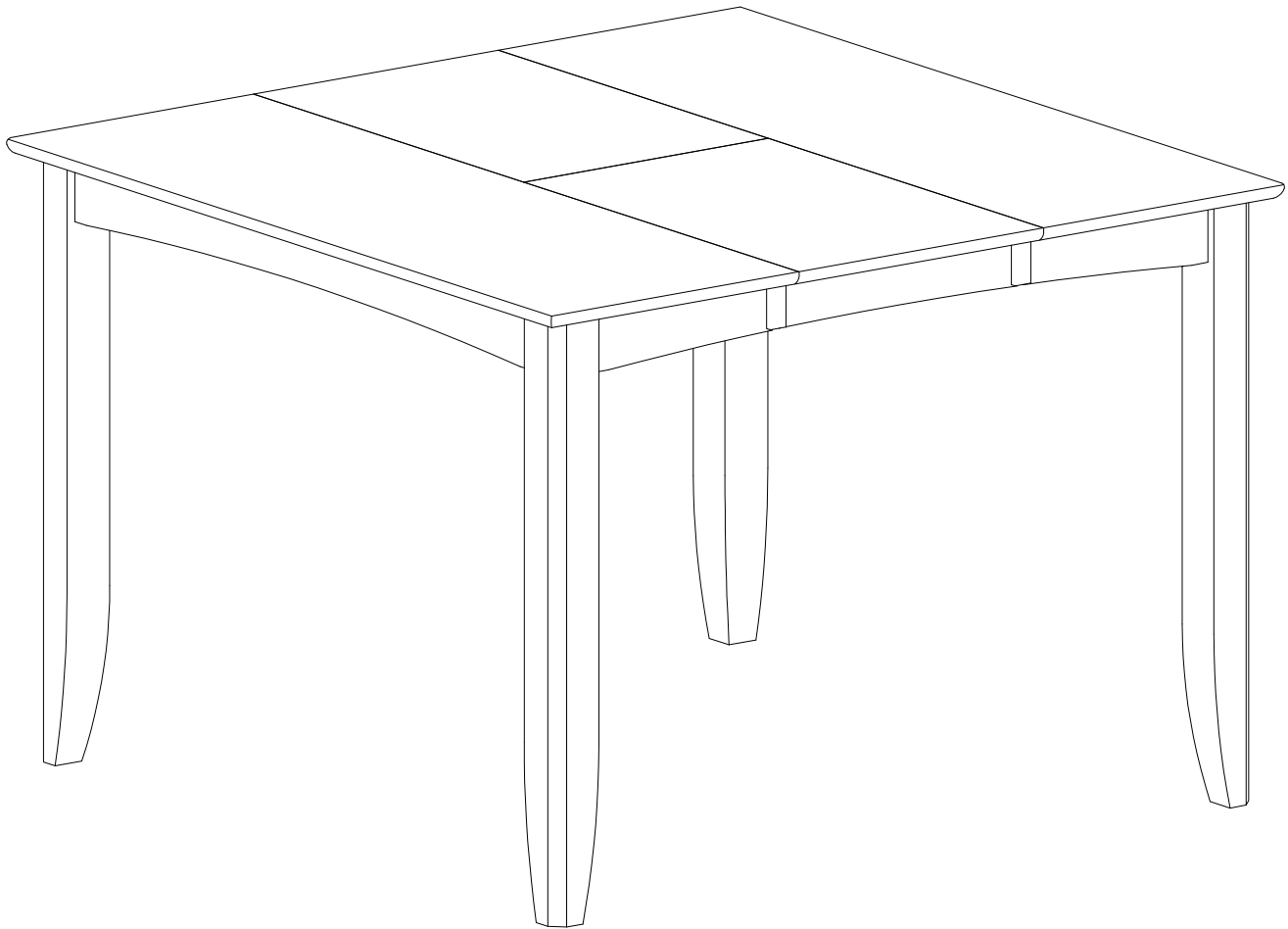
# ASSEMBLY INSTRUCTIONS

SKU: FAT



175 Southbelt Industrial Dr  
Houston, TX 77047

Email: info@eastwestfurniture.net



Description : FAIRWINDS GATHERING COUNTER HEIGHT DINING SQUARE 54" TABLE

Dimension : 54"Wx36"/54"Dx36"H

Cube size : 56.2"x38"x6.4"

(Top)

NW : 83.6 LBS

GW : 92.4 LBS

Cube size : 36.7"x13.7"x3.7"

(Legs)

NW : 26.4 LBS

GW : 28.6 LBS

**FAIRWINDS GATHERING COUNTER HEIGHT DINING SQUARE 54" TABLE**

## BEFORE ASSEMBLY

Thank you for purchasing this quality product. This product has been designed for easy assembly and constructed for durability. Please take the time to read and follow the assembly instructions carefully.

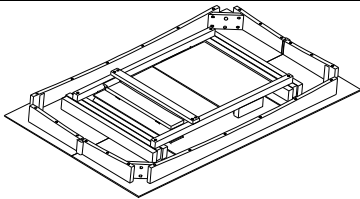
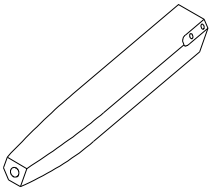
Be sure to check all packing material carefully for small parts, which may have come loose inside the carton during shipment. Please separate, identify, and count all parts and metal hardware. Compare with part list to be sure all parts are present. If hardware is missing or you have difficulty assembling this product, please call for us.

### IMPORTANT NOTE:

- Place all wooden parts on a clean and smooth surface such as a rug or carpet to avoid the parts from being scratched.
- Remove all wrapping material, including staples & packing straps before you start to assemble.
- DO NOT tighten all screws, bolts until all completely assembled.
- Keep all hardware parts out of reach of children



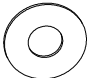
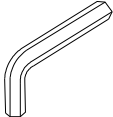
## PART LIST

When unpacking, please carefully not to discard any parts with the packaging. Before continuing, please make sure you have all of the following parts:

NO	Description	Qty	Sketch	NO	Description	Qty	Sketch
A	Top	1		B	Leg	4	

## HARDWARE LIST

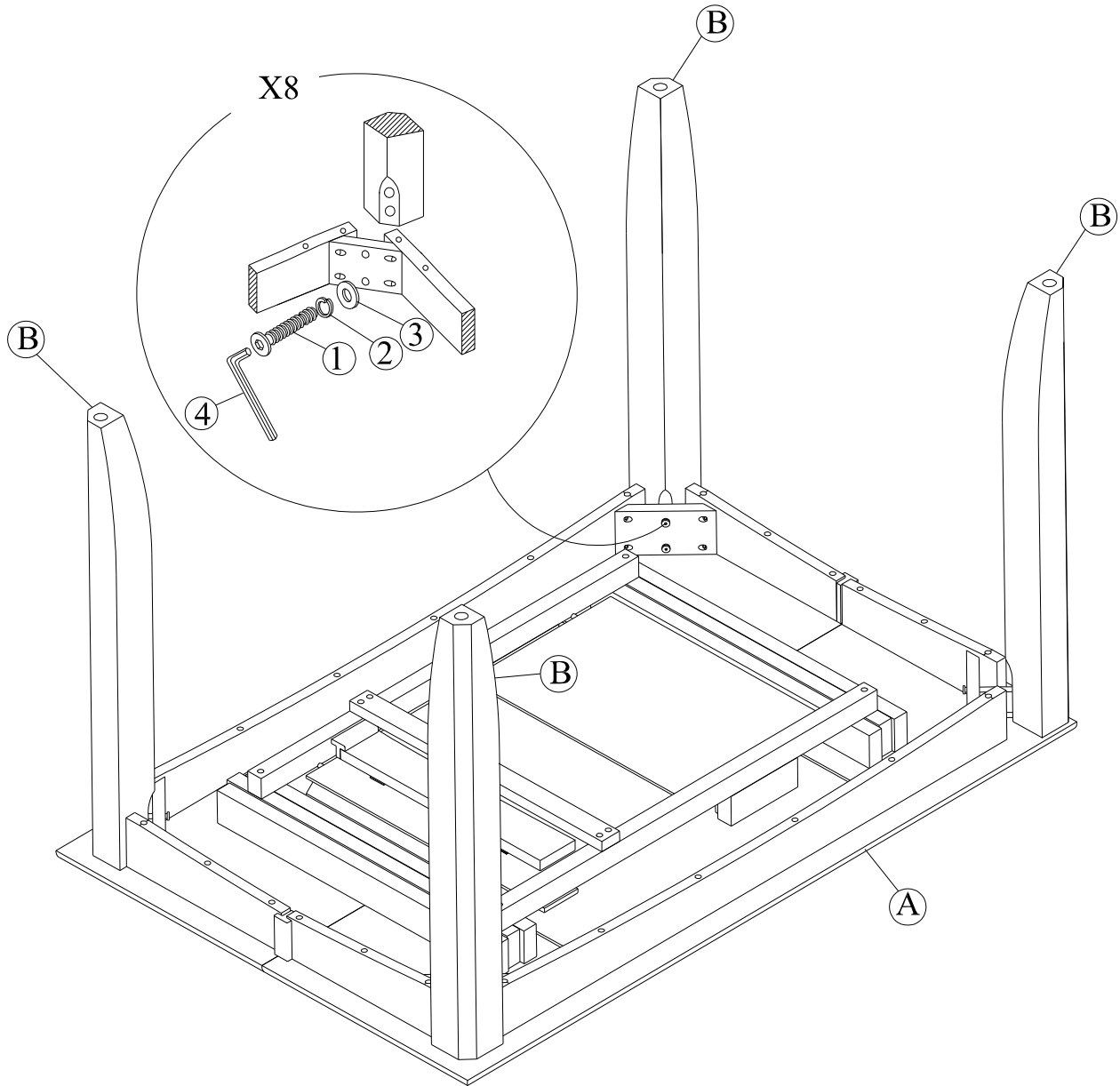
When unpacking, please carefully not to discard any parts with the packaging. Before continuing, please make sure you have all of the following hardware:

NO	Description	Qty	Sketch	NO	Description	Qty	Sketch
1	Bolt (M8x70mm)	8		2	Lock washer ( $\Phi 8.5 \times \Phi 13 \text{mm}$ )	8	
3	Flat washer ( $\Phi 8.5 \times \Phi 19 \text{mm}$ )	8		4	Allen key (4mm)	1	

**FAIRWINDS GATHERING COUNTER HEIGHT DINING SQUARE 54" TABLE**

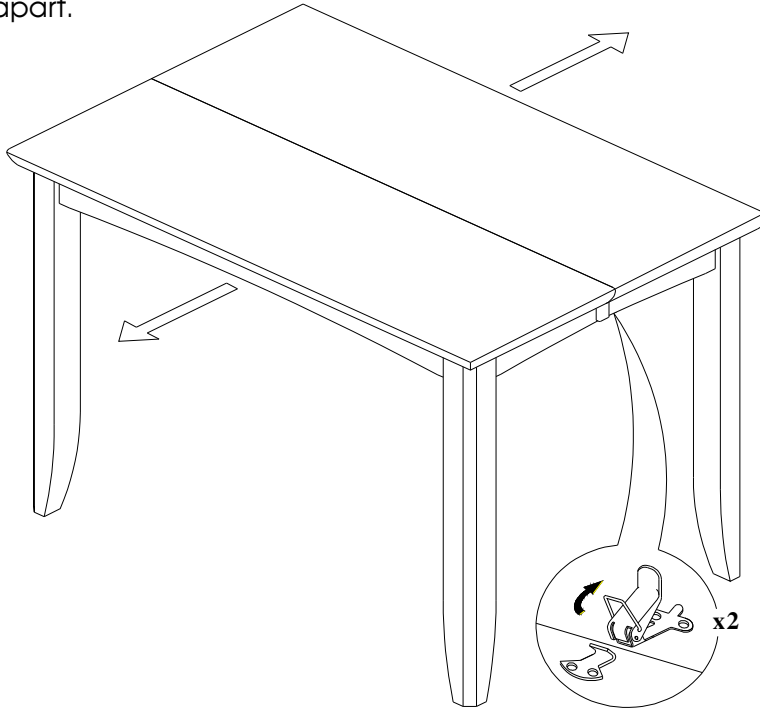
# STEP 1

Place legs (B) in position as shown below. Use bolts (1) and washers (2),(3) to attach legs, tighten with the Allen key (4).



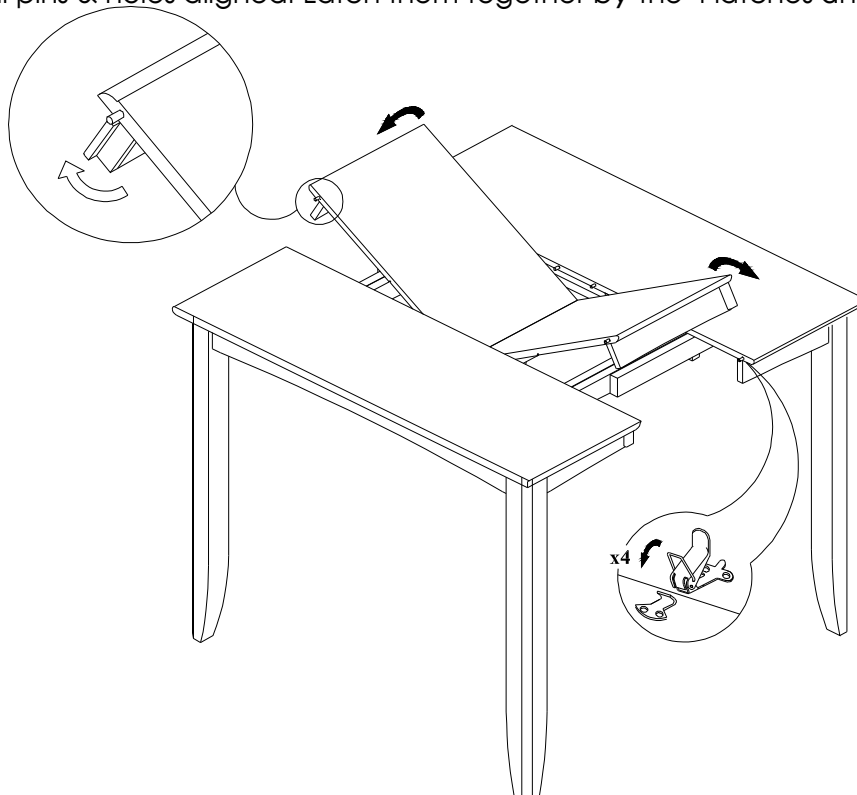
## STEP 2

Unlatch 2 end pieces of table top by the latches underneath table top. Pull the 2 ends of the table top apart.



## STEP 3

Unfold the butterfly leaf with the apron at both ends straightened up as shown on the Step 3. Place flattened butterfly leaf at the center of the table. Then push two end pieces inward making sure all pins & holes aligned. Latch them together by the 4 latches underneath table top



**FAIRWINDS GATHERING COUNTER HEIGHT DINING SQUARE 54" TABLE**