

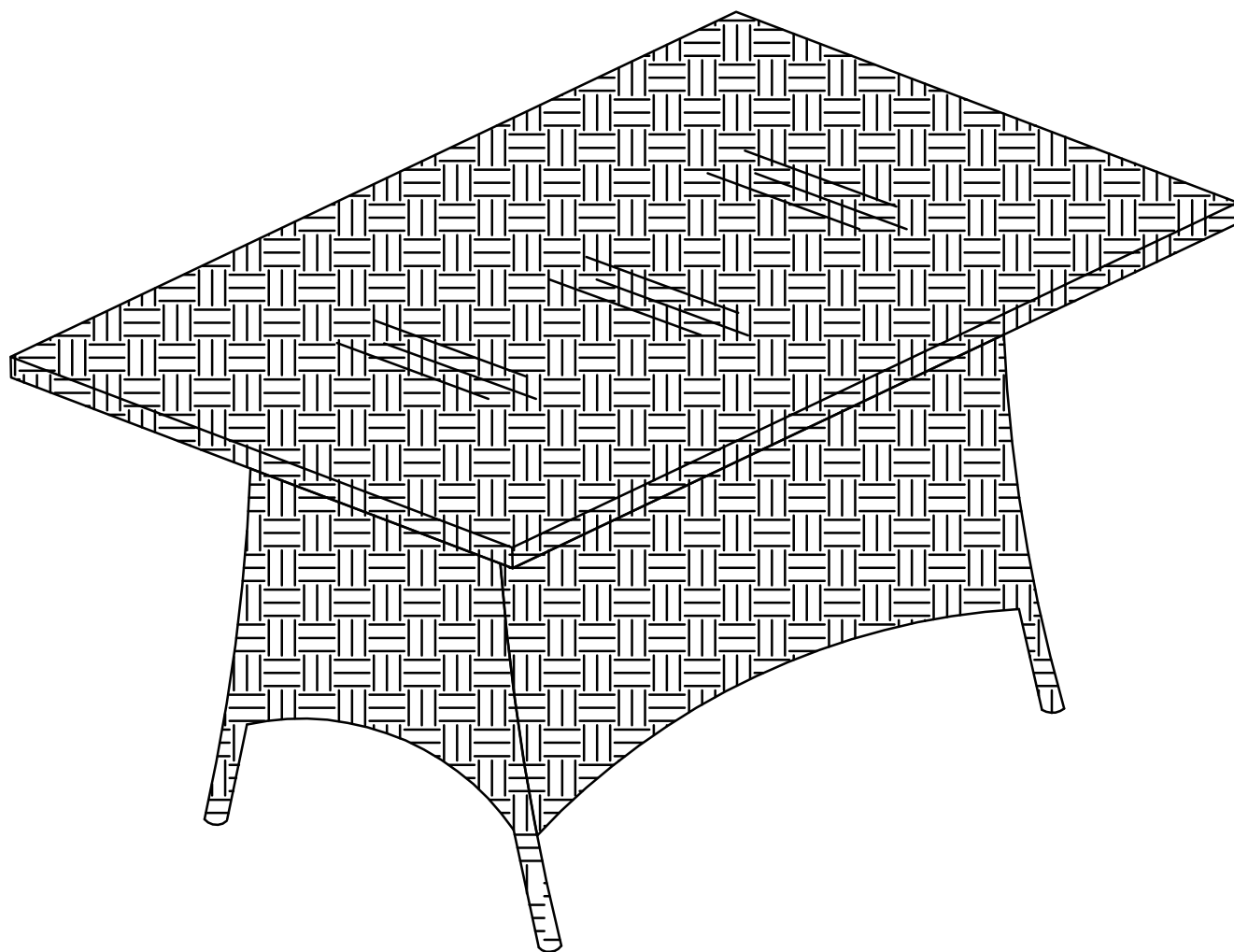
# ASSEMBLY INSTRUCTIONS

SKU:HVLTG63S



175 Southbelt Industrial Dr  
Houston, TX 77047

Email: [info@eastwestfurniture.net](mailto:info@eastwestfurniture.net)



Description : Valencia table with glass top, wicker H3384B

Dimension : L140xW90xH75cm

Cube Size :

NW : 26.5 KGS

GW : 30.5 KGS

# BEFORE ASSEMBLY

Thank you for purchasing this quality product. This product has been designed for easy assembly and constructed for durability. Please take the time to read and follow the assembly instructions carefully.

Be sure to check all packing material carefully for small parts which may have come loose inside the carton during shipment. Please separate, identify, and count all parts and metal hardware. Compare with part list to be sure all parts are present.


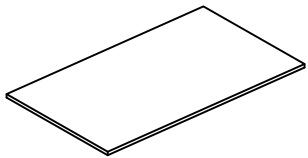
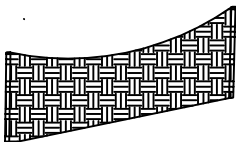
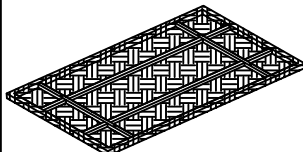
If hardware is missing or you have difficulty assembling this product, please call for us.

## IMPORTANT NOTE:

- Place all wooden parts on a clean and smooth surface such as a rug or carpet to avoid the parts from being scratched.
- Remove all wrapping material, including staples & packing straps before you start to assemble.
- DO NOT tighten all screws and bolts until completely assembled.
- Keep all hardware parts out of reach of children.


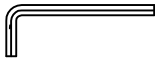
# PART LIST

When unpacking, please be careful not to discard any parts with the packaging. Before continuing, please make sure you have the following parts:

NO	Description	Qty		NO	Description	Qty	
A	Leg Panels	2		D	Glass Panel	1	
B	Leg Support Panels	2					
C	Table top	1					

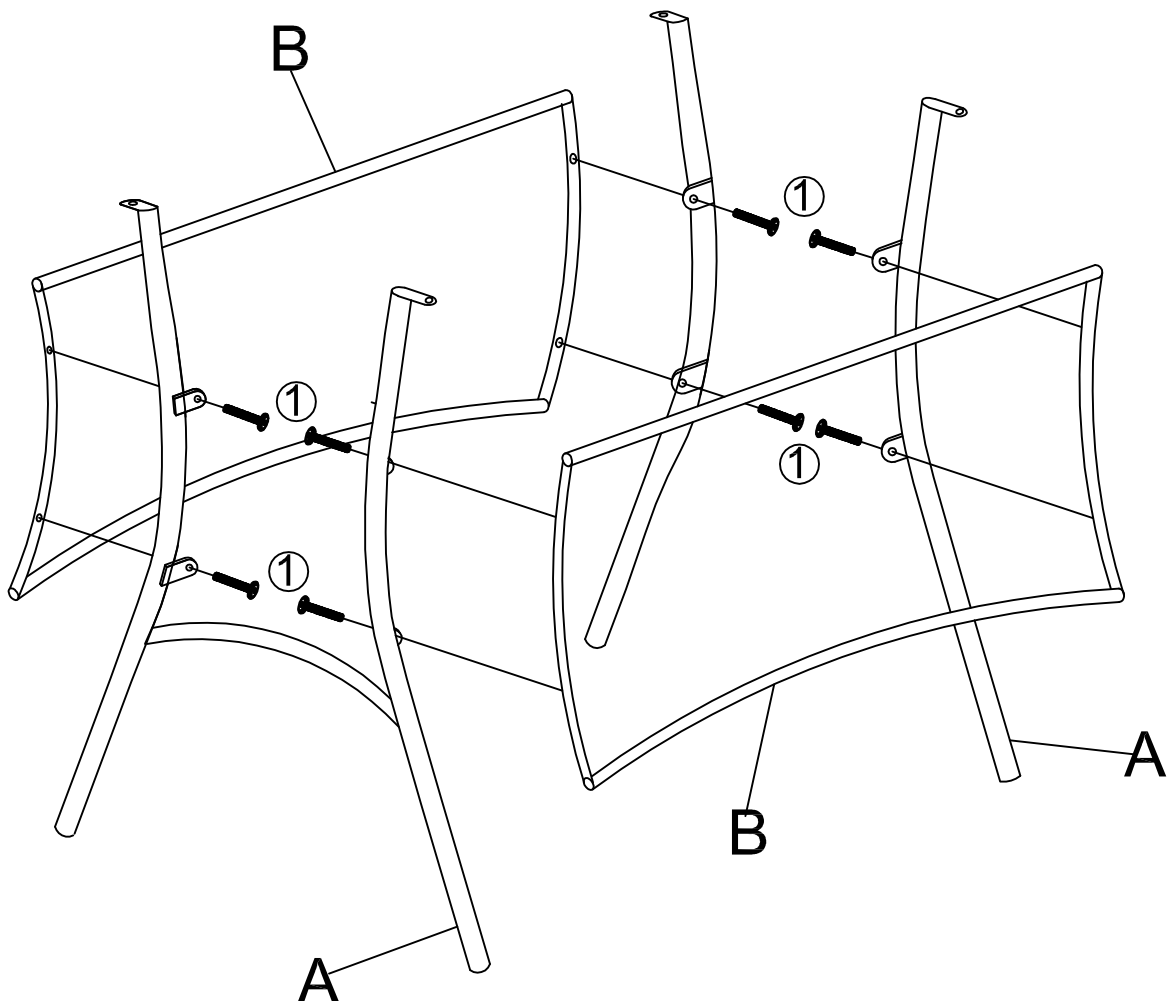
# HARDWARE LIST

When unpacking, please be careful not to discard any parts with the packaging. Before continuing, please make sure you have all of the following hardware:

NO	Description	Qty	Sketch	NO	Description	Qty	Sketch
1	Bolt (M6x20)	12					
2	Allen key (M4mm)	1					

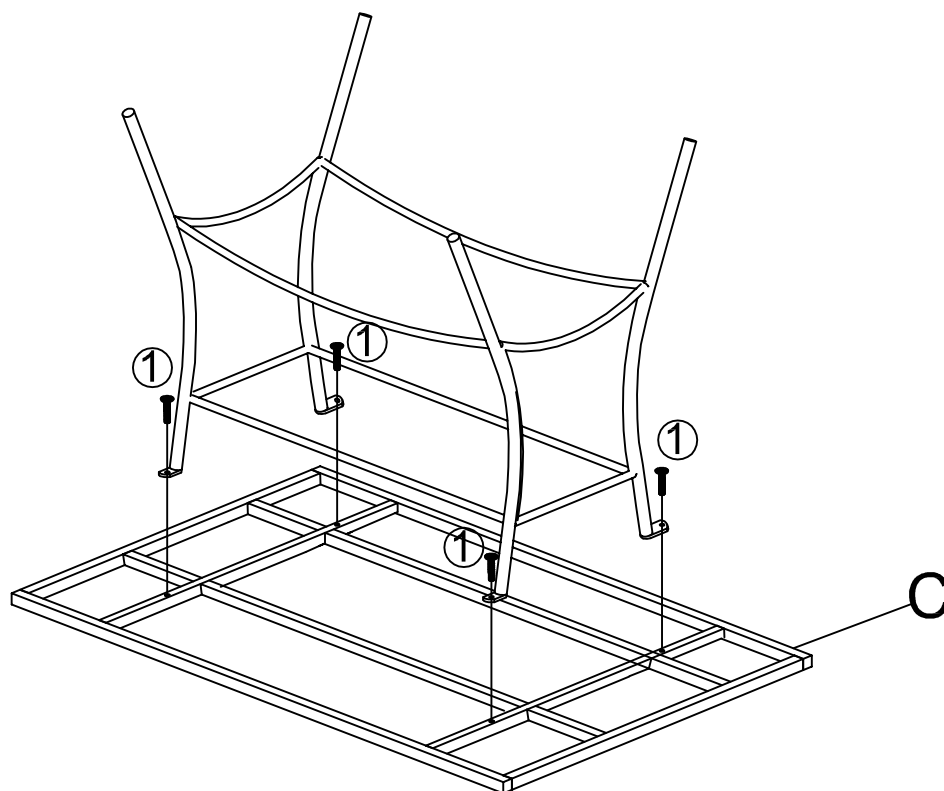
## STEP 1

Put 2 Leg Panels (A) stand parallel. Align 2 Leg Supports Panels (B) between Leg Panels (C), insert Bolt (1) and tighten with supplied Allen Key (2) as shown on the picture below



## STEP 2

Lay the Table Top (D) upside down onto clean smooth surface. Align Leg Panels (A) and Leg Support Panels (B) to the Table Top (C). Insert Bolts (1) then tighten with supplied Allen Key (3) as shown on the picture below



## STEP 3

Stand the table in right position, check stability and then gently place the glass panel (D) onto the table top

