

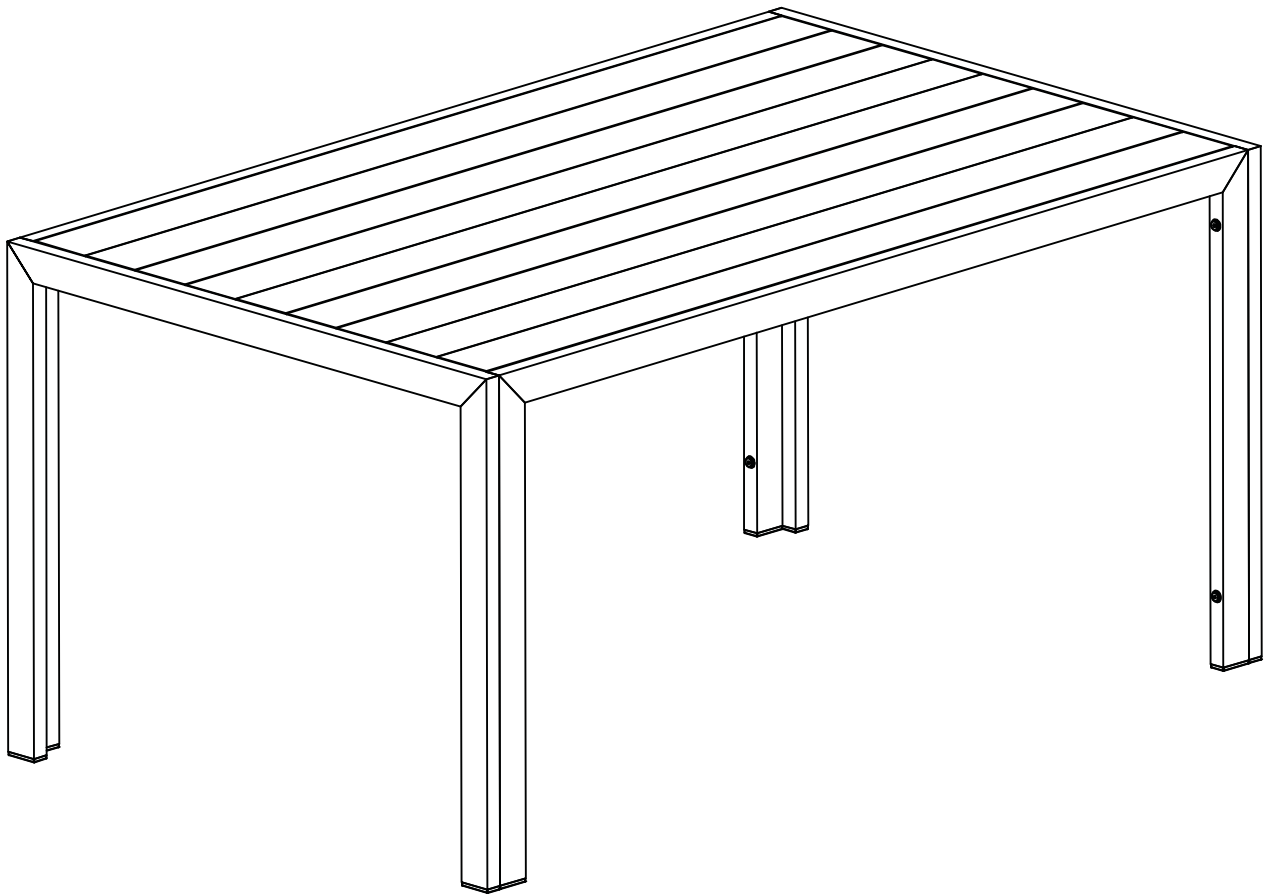
ASSEMBLY INSTRUCTIONS

SKU: JULTW02



175 Southbelt Industrial Drive,
Houston, TX 77047

Email: info@eastwestfurniture.net



Description
Dimension
Cube Size

:JUBI PATIO TABLE WITH PLASTIC WOOD TOP, BROWN

:W. 60.4" x D.36.02" x H.29.92"

:58.66" x 4.72" x 35.43"

NW: 59.08 LBS

GW: 63.71 LBS

JUBI PATIO TABLE WITH PLASTIC WOOD TOP, BROWN

BEFORE ASSEMBLY

Thank you for purchasing this quality product. This product has been designed for easy assembly and constructed for durability. Please take the time to read and follow the assembly instructions carefully.

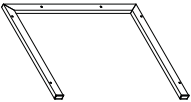
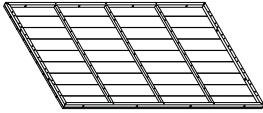

Be sure to check all packing material carefully for small parts which may have come loose inside the carton during shipment. Please separate, identify, and count all parts and metal hardware. Compare with part list to be sure all parts are present. If hardware is missing or you have difficulty assembling this product, please call for us.

IMPORTANT NOTE:

- Place all wooden parts on a clean and smooth surface such as a rug or carpet to avoid the parts from being scratched.
- Remove all wrapping material, including staples & packing straps before you start to assemble.
- DO NOT tighten all screws and bolts until completely assembled.
- Keep all hardware parts out of reach of children.


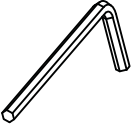


PART LIST

When unpacking, please be careful not to discard any parts with the packaging. Before continuing, please make sure you have the following parts:

NO	Description	Qty	Sketch	NO	Description	Qty	Sketch
(A)	Short Legs	02		(C)	Top	01	
(B)	Short Legs	02					

HARDWARE LIST

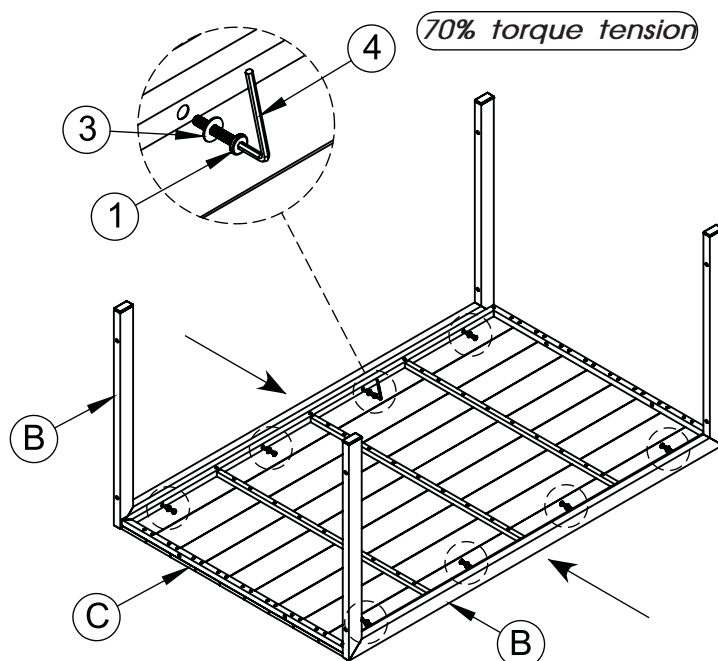
When unpacking, please be careful not to discard any parts with the packaging. Before continuing, please make sure you have all of the following hardware:

NO	Description	Qty	Sketch	NO	Description	Qty	Sketch
(1)	M6 x 35 Bolt	12		(4)	Hex Wrench	01	
(2)	M6 x 65 Bolt	08					
(3)	M6 Washers	20					

JUBI PATIO TABLE WITH PLASTIC WOOD TOP, BROWN

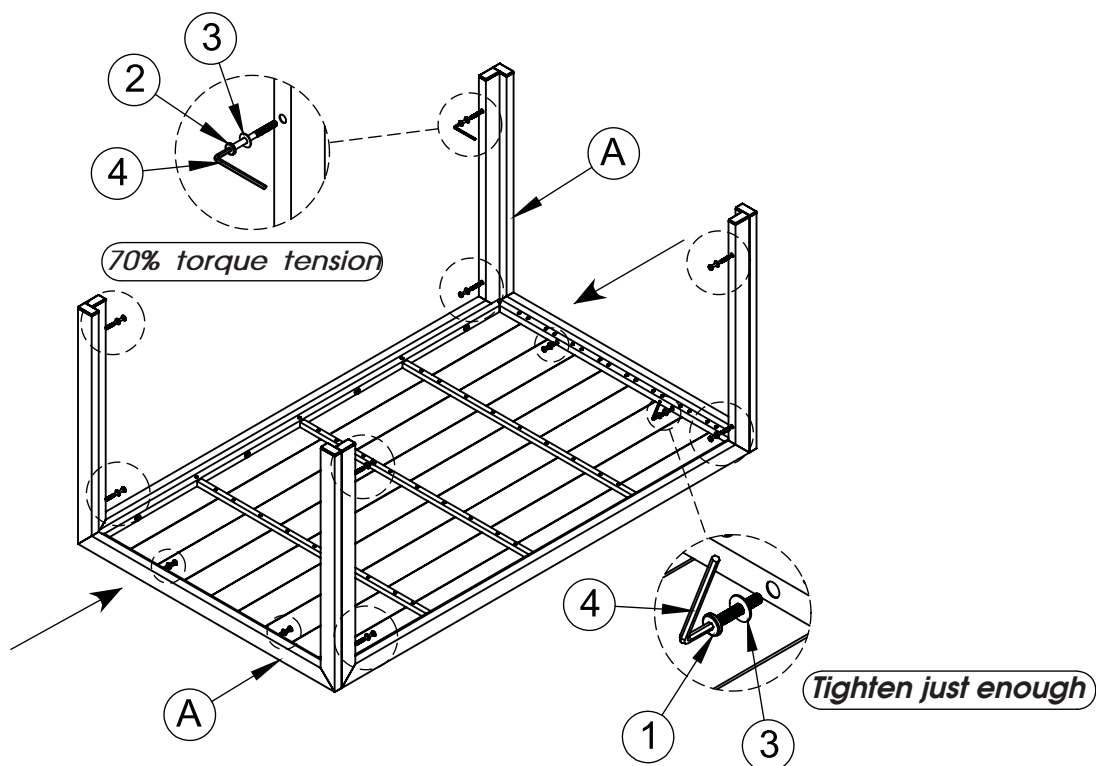
STEP 1

Attach Long legs (B) with the Tabletop (C) with M6x35 bolts (1) and washers (3). Tighten 70% torque tension with the Hex wrench (4).



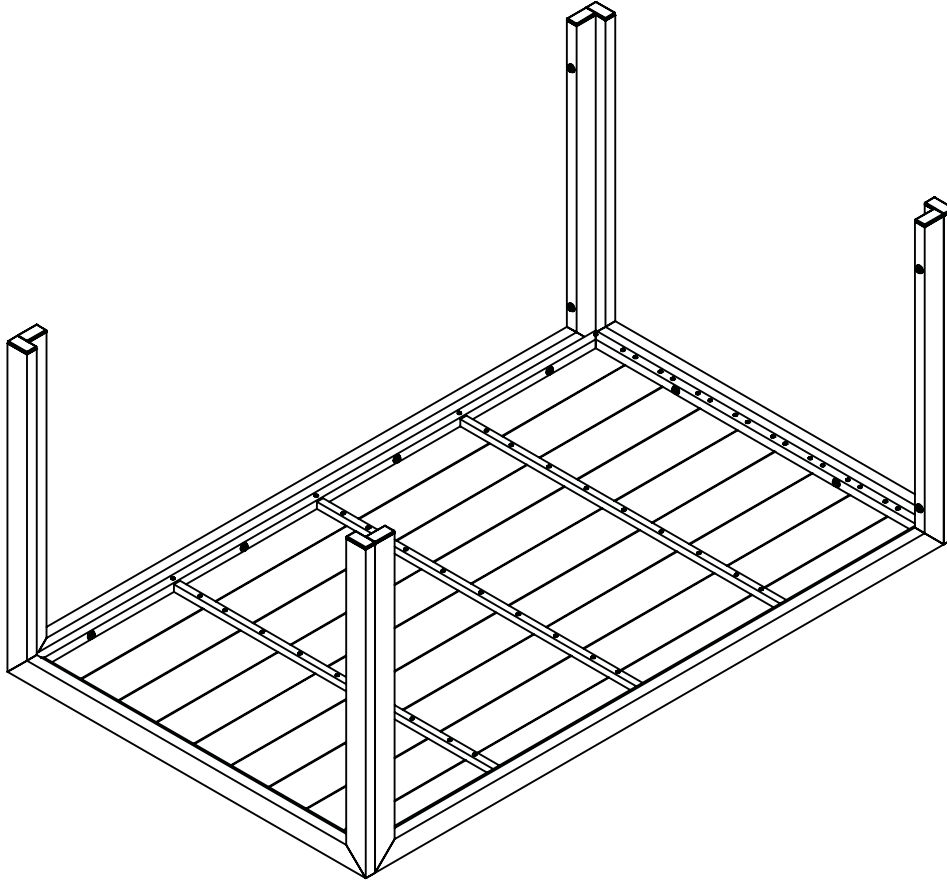
STEP 2

Attach the Short leg (A) with the M6x65 bolts (2) and washers (3). Tighten 70% torque tension with the Hex wrench (4).

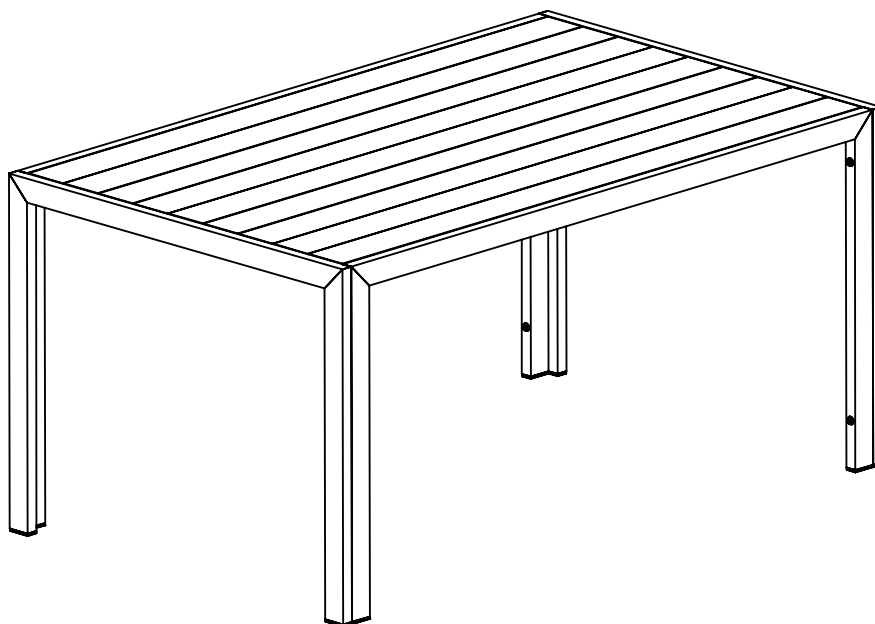


STEP 3

When all bolts were attached, tighten them all with full torque tension with the Hex wrench (4). (Except 4 bolts were tighten just enough at step 2)



FINISH



JUBI PATIO TABLE WITH PLASTIC WOOD TOP, BROWN