

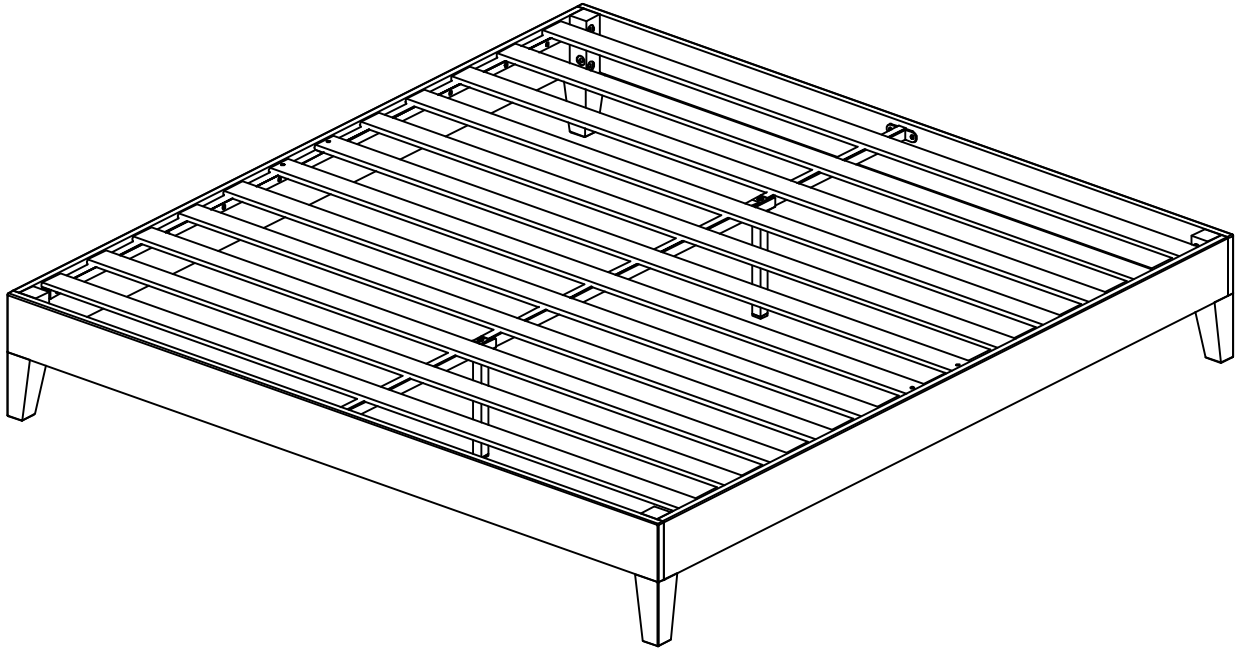
ASSEMBLY INSTRUCTIONS

SKU: NVP



175 Southbelt Industrial Dr
Houston, TX 77047

Email: info@eastwestfurniture.net



Description : Navarro Platform Bed Full

Dimension : 74.5"Wx53.5"Dx12"H

Cube Size : 77.4"x6.7"x9.25"

N.W: 48.4 LBS

G.W: 57.2 LBS

Description : Navarro Platform Bed Queen

Dimension : 79.5"Wx59.5"Dx12"H

Cube Size : 82.3"x7"x12.25"

N.W: 52.8 LBS

G.W: 61.6 LBS

Description : Navarro Platform Bed King

Dimension : 79.5"Wx75.5"Dx12"H

Cube Size : 82.3"x7"x12.25"

N.W: 61.6 LBS

G.W: 70.4 LBS

Navarro Platform Bed Full - Queen - King

BEFORE ASSEMBLY

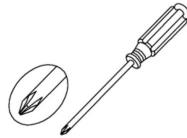
Thank you for purchasing this quality product. This product has been designed for easy assembly and constructed for durability. Please take the time to read and follow the assembly instructions carefully. Be sure to check all packing material carefully for small parts which may have come loose inside the carton during shipment. Please separate, identify, and count all parts and metal hardware. Compare with part list to be sure all parts are present. If hardware is missing or you have difficulty assembling this product, please call for us.

IMPORTANT NOTE:

- Place all wooden parts on a clean and smooth surface such as a rug or carpet to avoid the parts from being scratched.
- Remove all wrapping material, including staples & packing straps before you start to assemble.
- DO NOT FULLY tighten all screws and bolts until completely assembled.
- Keep all hardware parts out of reach of children.

ASSEMBLY TOOLS REQUIRED

NOT INCLUDED




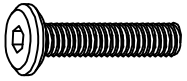
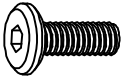

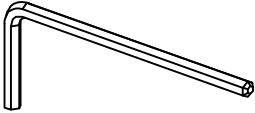
PART LIST

When unpacking, please be careful not to discard any parts with the packaging. Before continuing, please make sure you have the following parts:

NO	Description	Qty	Sketch	NO	Description	Qty	Sketch
A	Headboard + Footboard	2		B	Side rails	2	
C	Legs	4		D	Support legs	2	
E	Support rail	1		F	Slats	2	

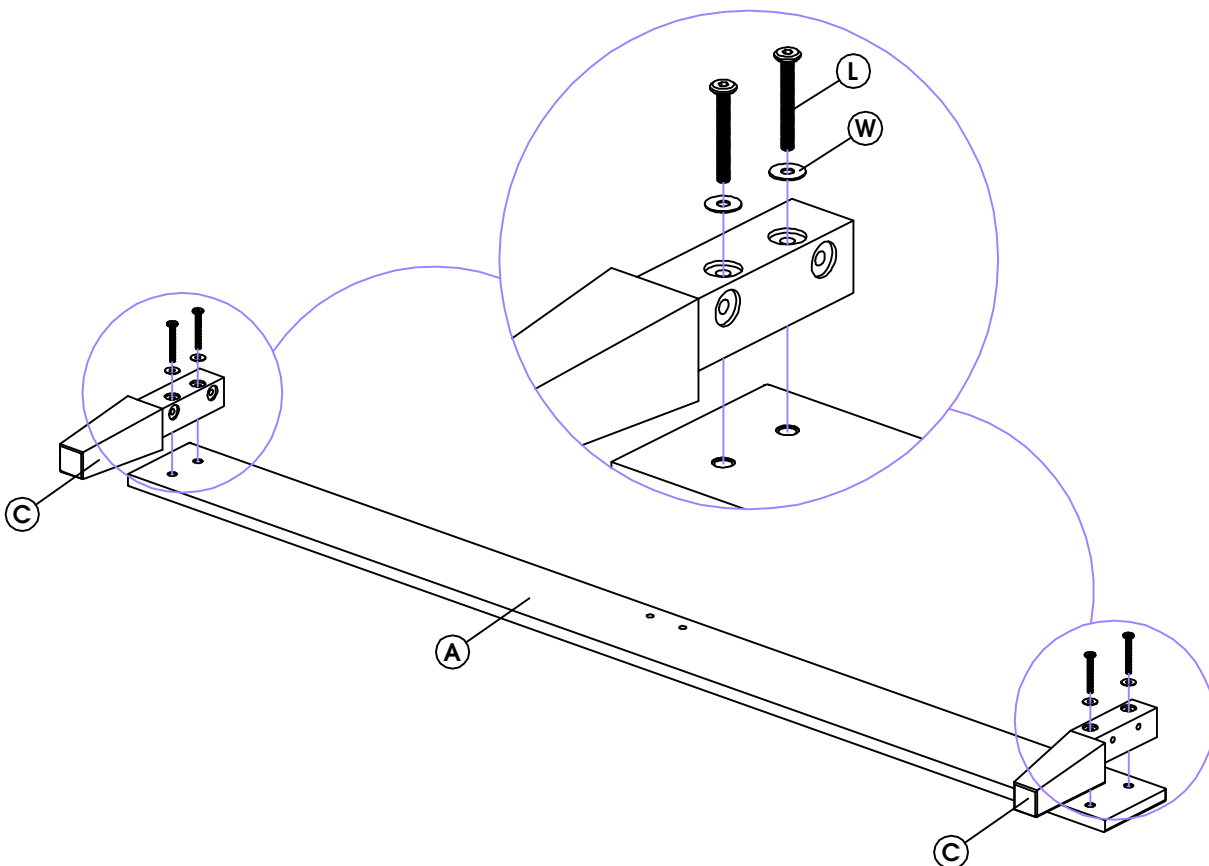
HARDWARE LIST

When unpacking, please be careful not to discard any parts with the packaging. Before continuing, please make sure you have all of the following hardware:

NO	Description	Qty	Sketch	NO	Description	Qty	Sketch
L	Bolt (M8x60mm)	16		M	Bolt (M8x35mm)	2	
S	Bolt (M8x20mm)	4		W	Flat Washer (Ø8x22)	22	
K	Allen Key (5mm)	1					

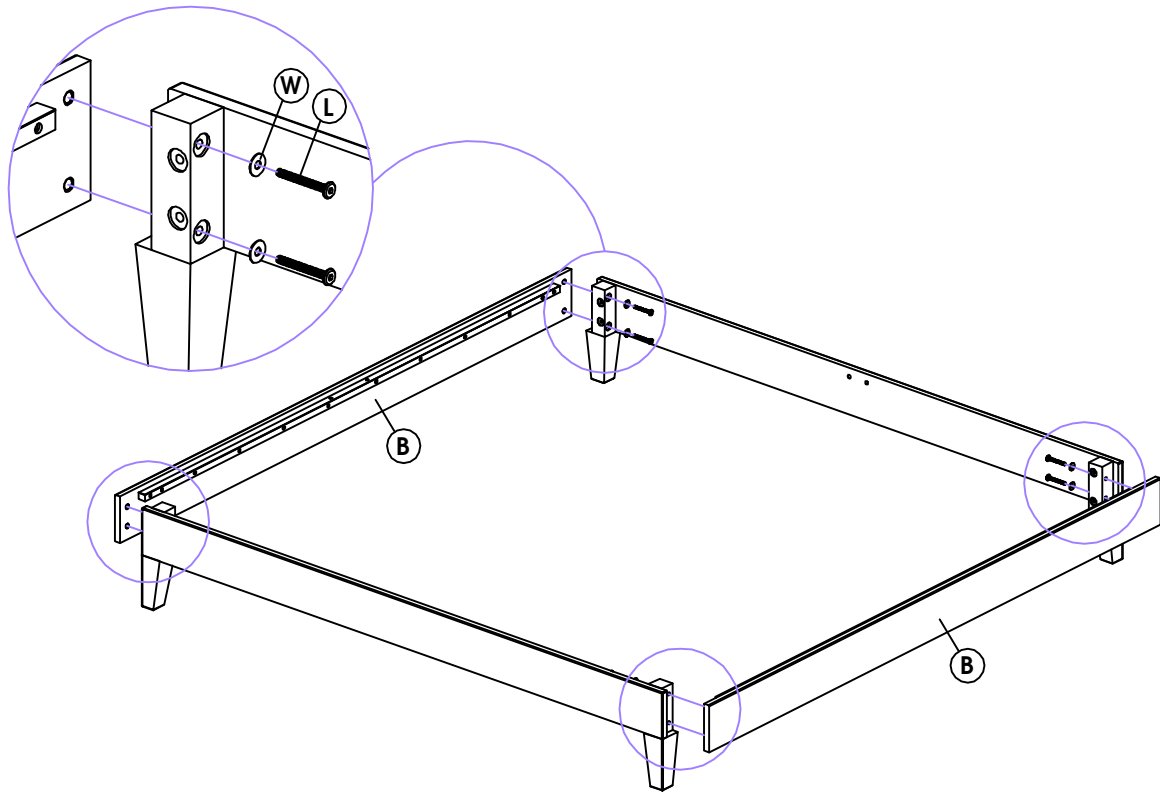
STEP 1

Attach the legs (C) to the headboard and footboard (A) by using bolts (L) and flat washers (W). Tighten with Allen Key (K).



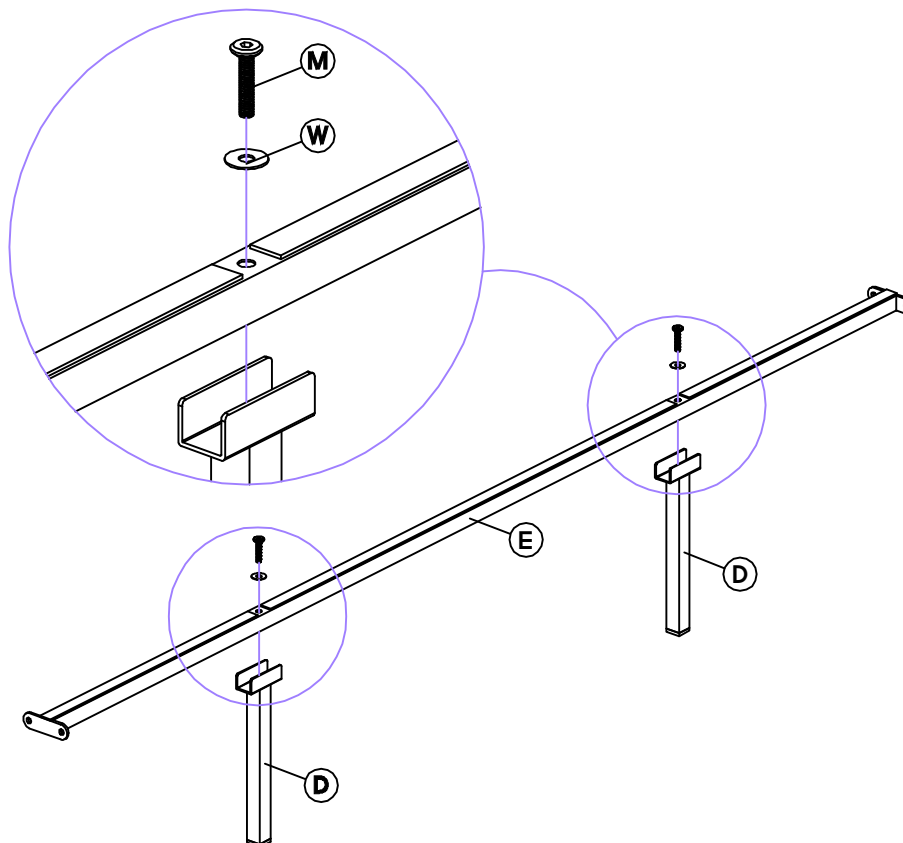
STEP 2

Attach the frame has assembled in step 1 to the side rails (B) by using bolts (L) and flat washers (W). Tighten with Allen Key (K).



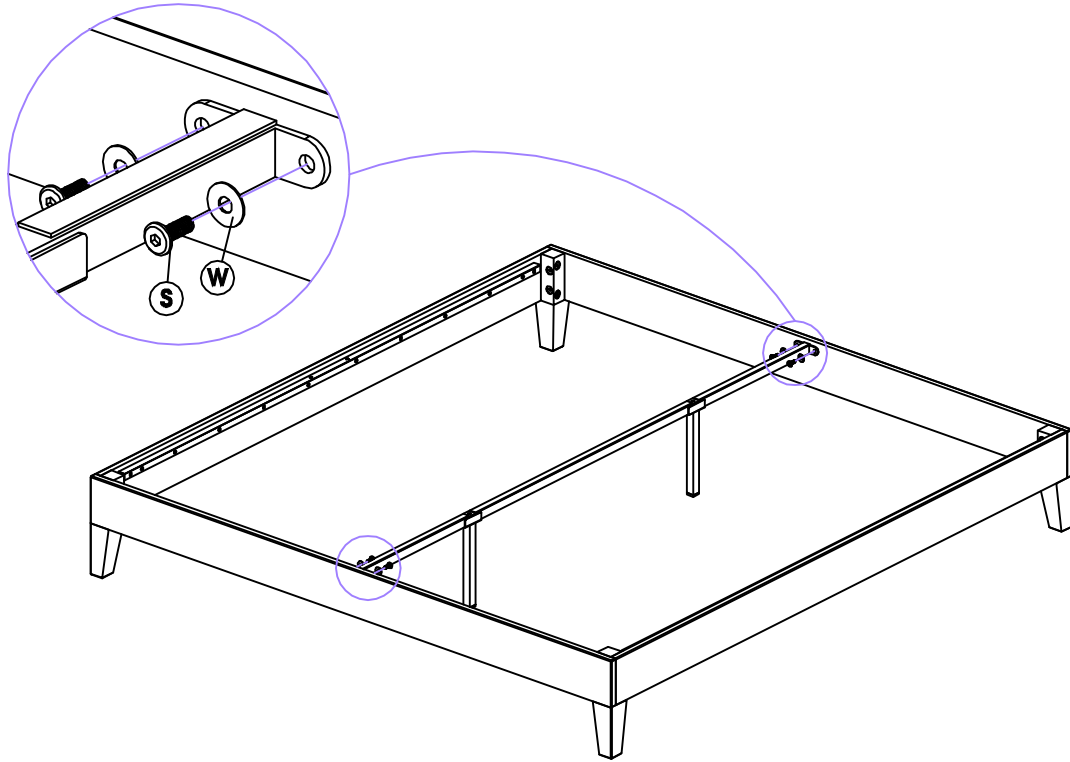
STEP 3

Attach the support legs (D) to the support rail (E) by using bolts (M) and flat washers (W). Tighten with Allen Key (K).



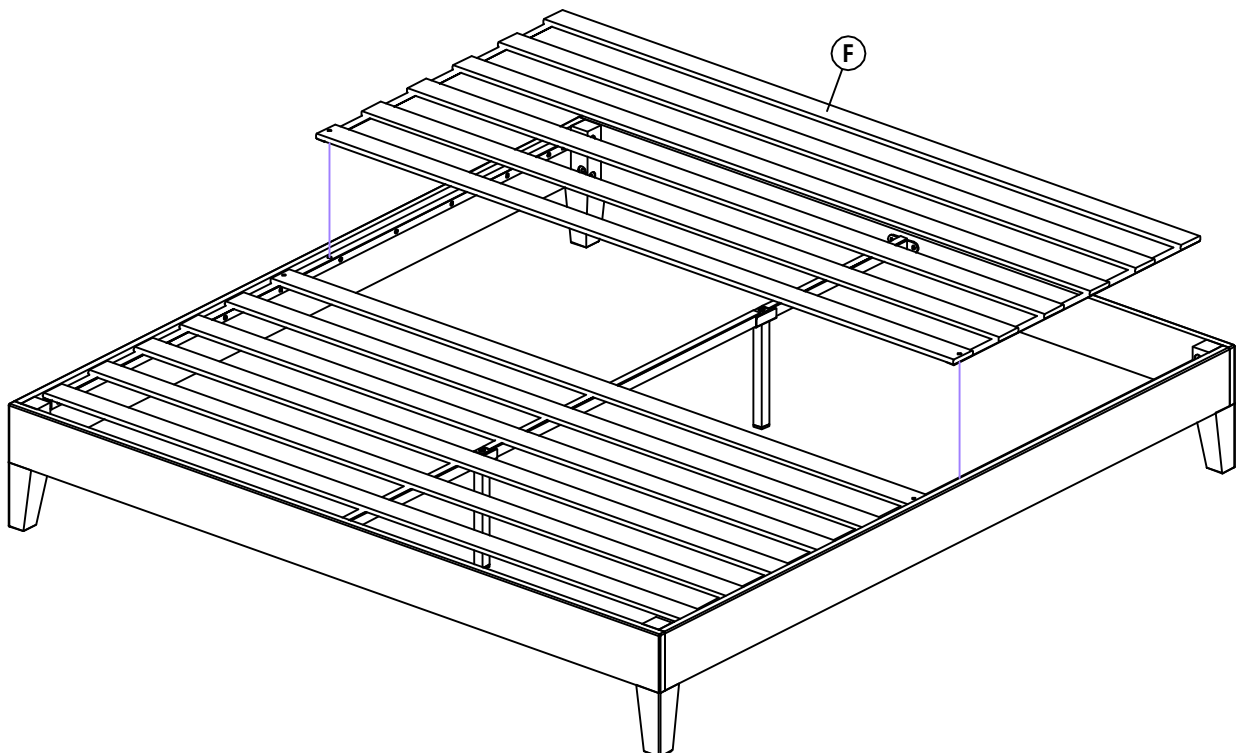
STEP 4

Attach the support rail assembled in step 3 to the headboard and footboard (A) by using bolts (S) and flat washers (W). Tighten with Allen Key (K).



STEP 5

Attach the slats to the bed frame by aligning the hole on the slats to the dowel on the side rails.



STEP 6

Peel off the upper strip Non-Slip tape to keep your mattress in place .

