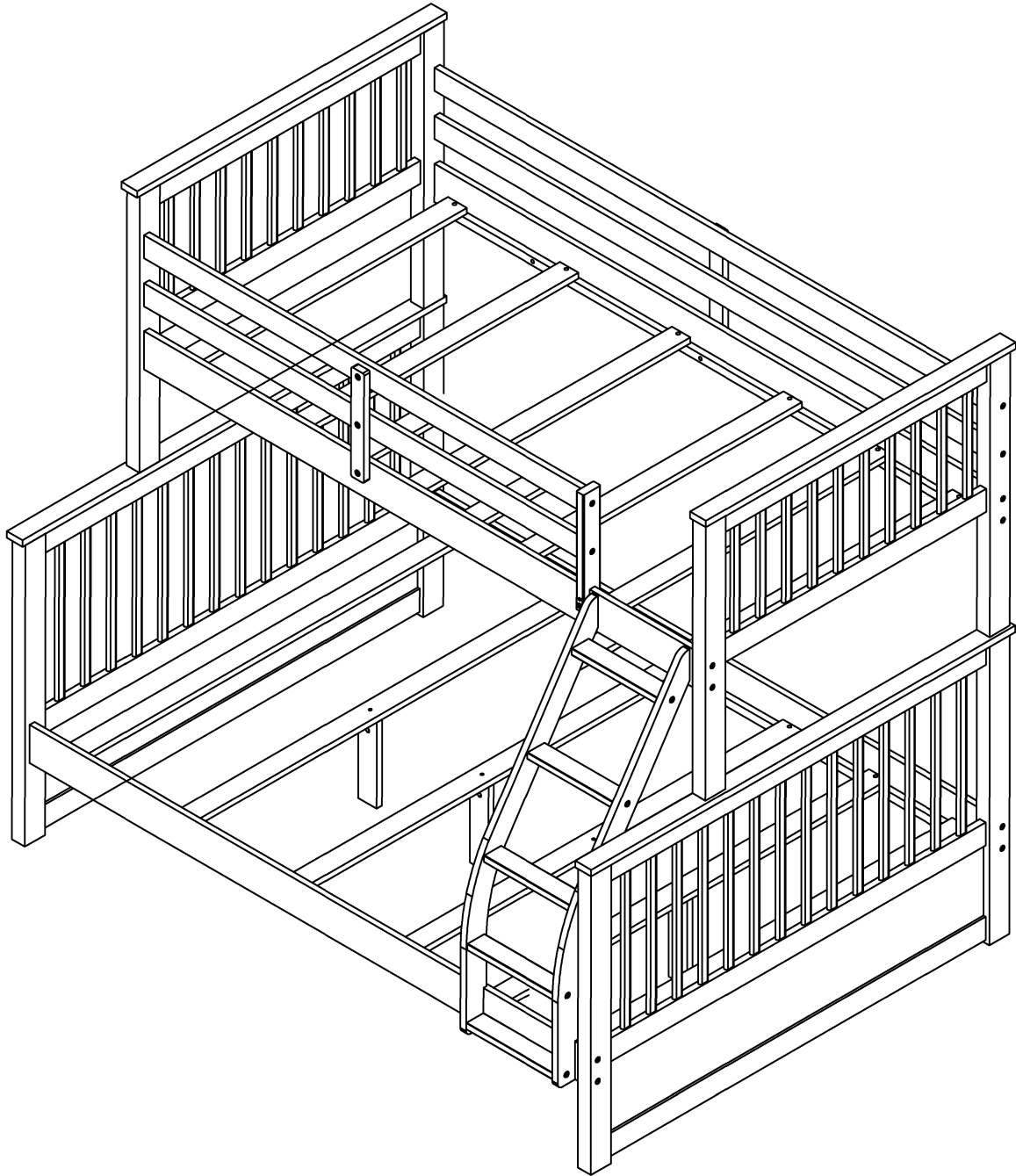


ASSEMBLY INSTRUCTIONS

SKU:ODB



175 Southbelt Industrial Dr
Houston, TX 77047
Email: info@eastwestfurniture.net



Description : Odessa Twin & Full Bunk Bed

Dimension : 2040 x 1506 x 1785 Hmm

Odessa Twin & Full Bunk Bed

BEFORE ASSEMBLY

Thank you for purchasing this quality product. This product has been designed for easy assembly and constructed for durability. Please take the time to read and follow the assembly instructions carefully.

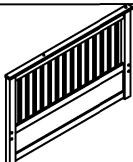
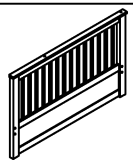
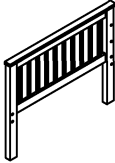
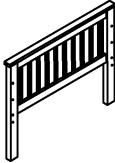
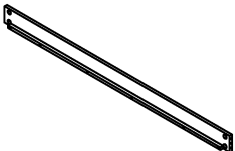
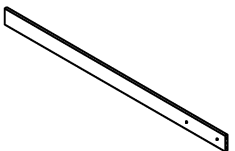
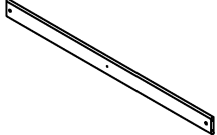
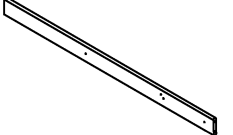
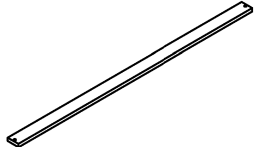
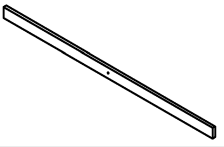
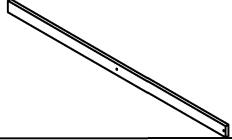
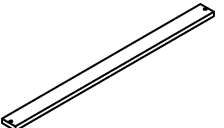
Be sure to check all packing material carefully for small parts which may have come loose inside the carton during shipment. Please separate, identify, and count all parts and metal hardware. Compare with part list to be sure all parts are present.

If hardware is missing or you have difficulty assembling this product, please call for us.

IMPORTANT NOTE:

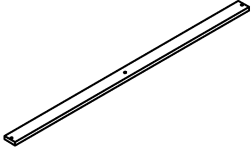
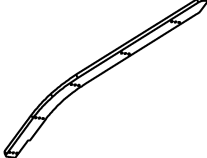

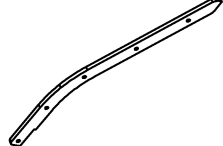

- Place all wooden parts on a clean and smooth surface such as a rug or carpet to avoid the parts from being scratched.
- Remove all wrapping material, including staples & packing straps before you start to assemble.
- DO NOT tighten all screws and bolts until completely assembled.
- Keep all hardware parts out of reach of children.

PART LIST


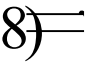
NO	Description	Q'Ty	Sketch	NO	Description	Q'Ty	Sketch
BOX A: A+B+C+D							
A	Lower right head board	1		B	Lower left head board	1	
C	Upper right head board	1		D	Upper left head board	1	
BOX B: E+F+G+H+I+J+K+L+N+M							
E	Lower back side rail	1		F	Lower front side rail	1	
G	Upper back side rail	1		H	Upper front side rail	1	
I	Lower head slats	2		J	Back guard rails	2	
K	Front guard rails	2		L	Head guard rails support bar	1	
M	Support guard rails bar	2		N	Upper slats	6	

Odessa Twin & Full Bunk Bed

HARDWARE LIST

NO	Description	Q'Ty	Sketch	NO	Description	Q'Ty	Sketch
0	Lower slats	4		P	Left Ladder bar	1	
Q	Ladder rungs	5		R	Right ladder bar	1	
S	Support legs	4					

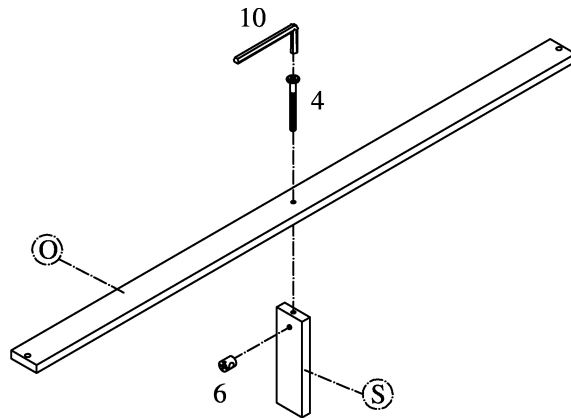
HARDWARE LIST

NO	Description	Q'Ty	Sketch	NO	Description	Q'Ty	Sketch
1	Head hex bolts 1/4" x 85mm	22		2	Head hex screws M7 x 30mm	8	
3	Head hex screws M7 x 50mm	10		4	Head hex bolts 1/4" x 65mm	6	
5	Wood dowels ø8 x 30mm	36		6	Dowel nuts 1/4"xø10x12mm	28	
7	Steel dowels ø10 x L90mm	4		8	Wood screws M4 x 35mm	24	
9	Head hex bolts 1/4" x 45mm	2		10	Alenkey 4mm	1	

Odessa Twin & Full Bunk Bed

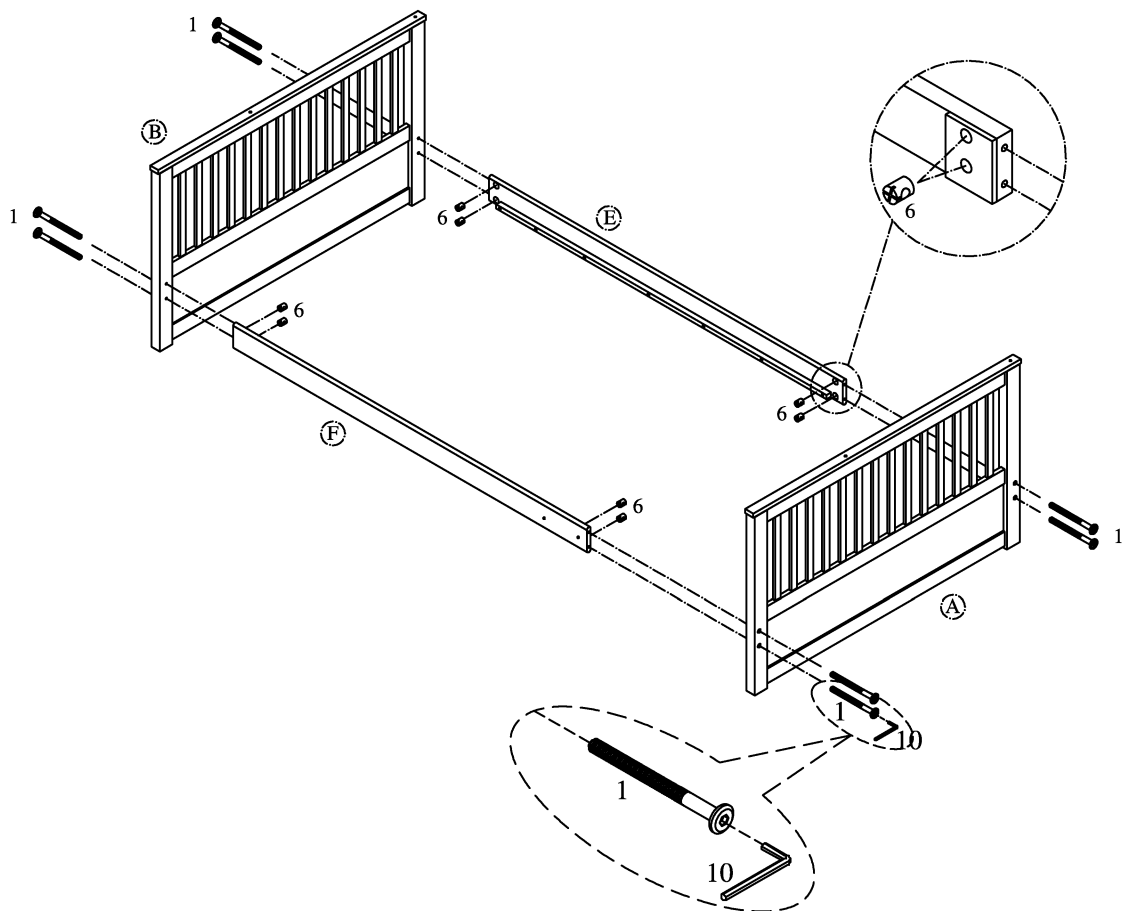
STEP 1: Assembly support legs with slats

LOWER BED ASSEMBLY: Assembly support legs (S) with slats (0) by bolts (4) and nuts (6)



STEP 2: Assembly lower bed

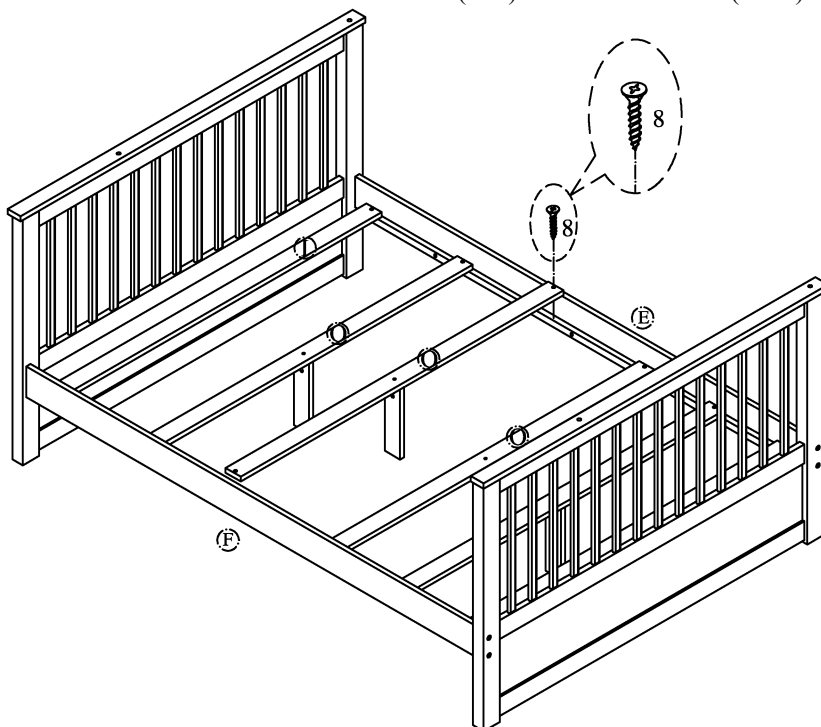
LOWER BED ASSEMBLY: Use alen key (10) Assembly head board (A & B) with side rails (E&F) by bolts (1) and nuts (6)



Odessa Twin & Full Bunk Bed

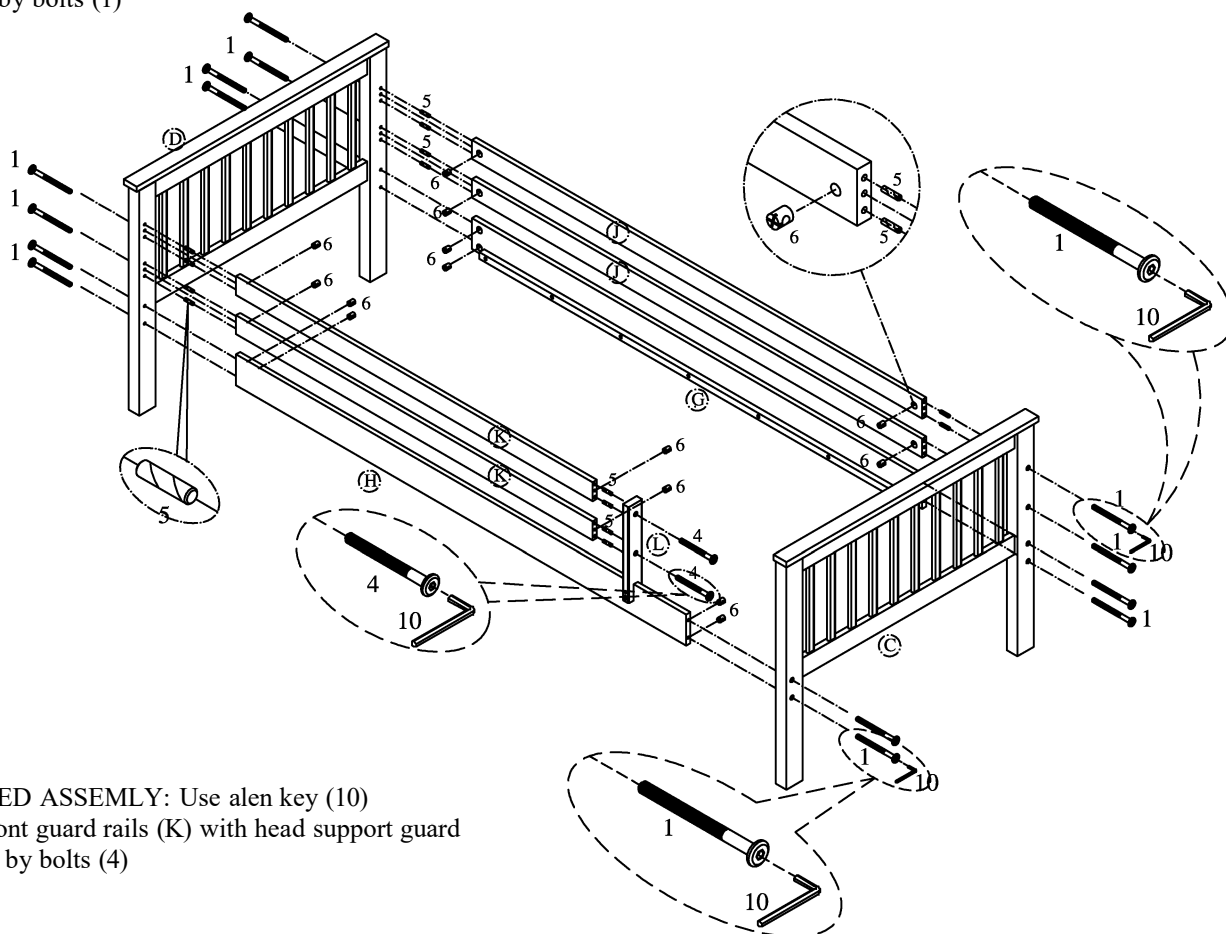
STEP 3: Fix slats

LOWER BED ASSEMBLY: Use screwdriver fix each slat (I+O) on lower side rails (C&D) by screws (8)



STEP 4: Assembly upper bunk

UPPER BED ASSEMBLY: Use allen key (10) assembly upper head board (C&D) with upper side rails (G&H) and guard rails (H&J) by bolts (1)

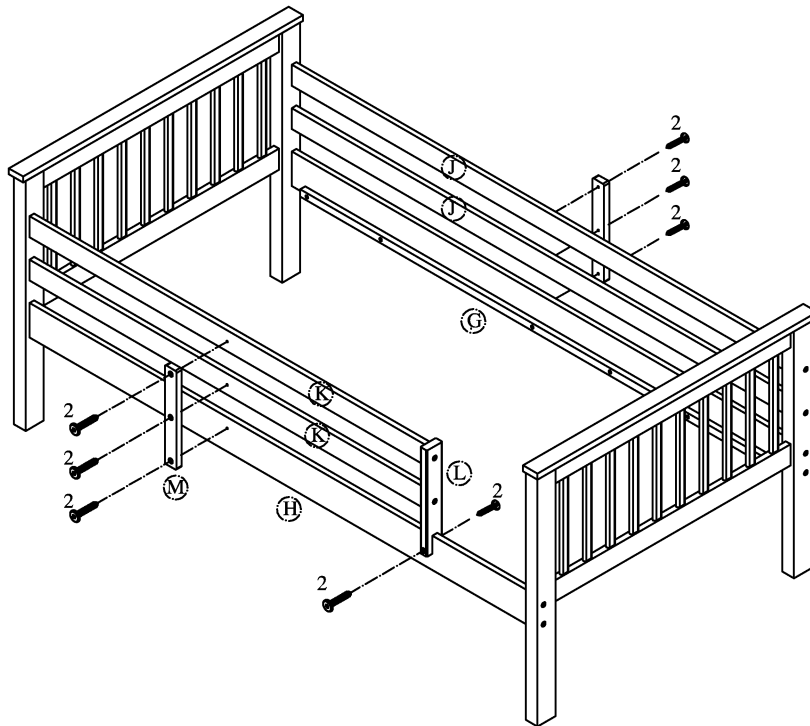


UPPER BED ASSEMBLY: Use allen key (10) assembly front guard rails (K) with head support guard rails bar (L) by bolts (4)

Odessa Twin & Full Bunk Bed

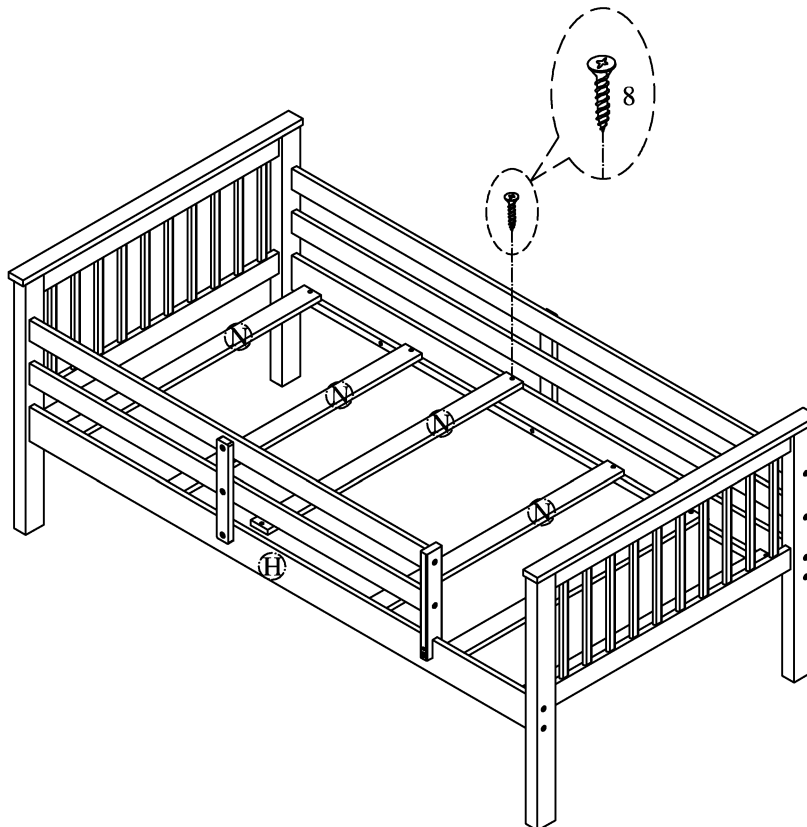
STEP 5: Fix support guard rails

LOWER BED ASSEMBLY: Use allen key fix support guard rail bars (M) with guard rails (J & K) and side rails (G & H) by screws (2)



STEP 6: Fix slats

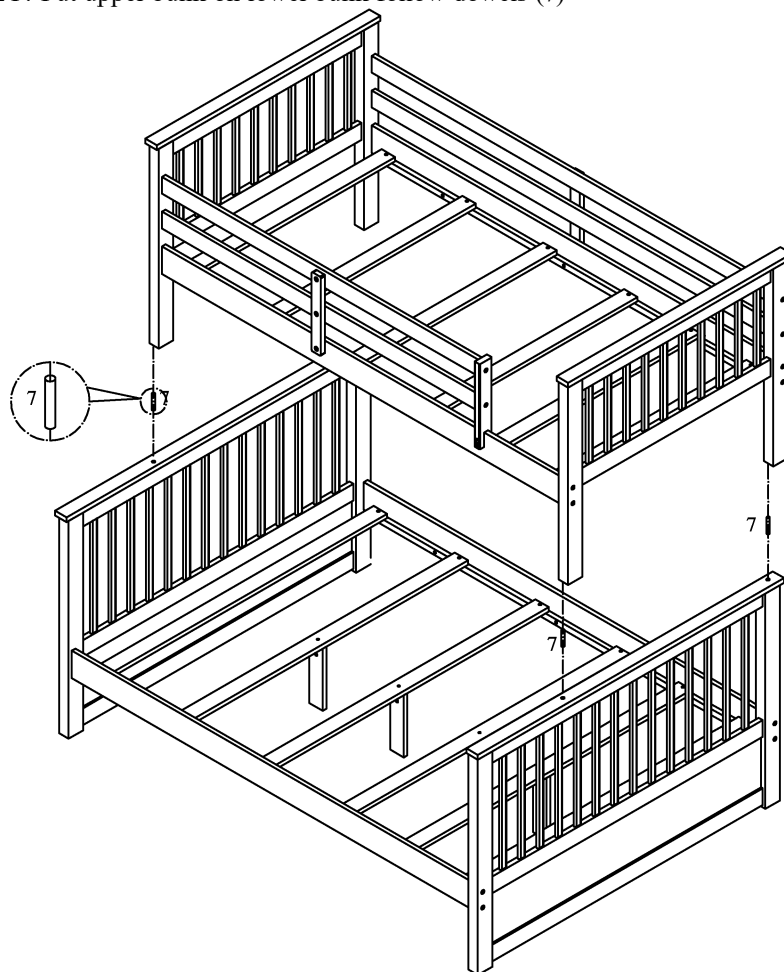
UPPER BED ASSEMBLY: Use screwdriver fix each slat (N) on lower side rails (G & H) by screws (8)



Odessa Twin & Full Bunk Bed

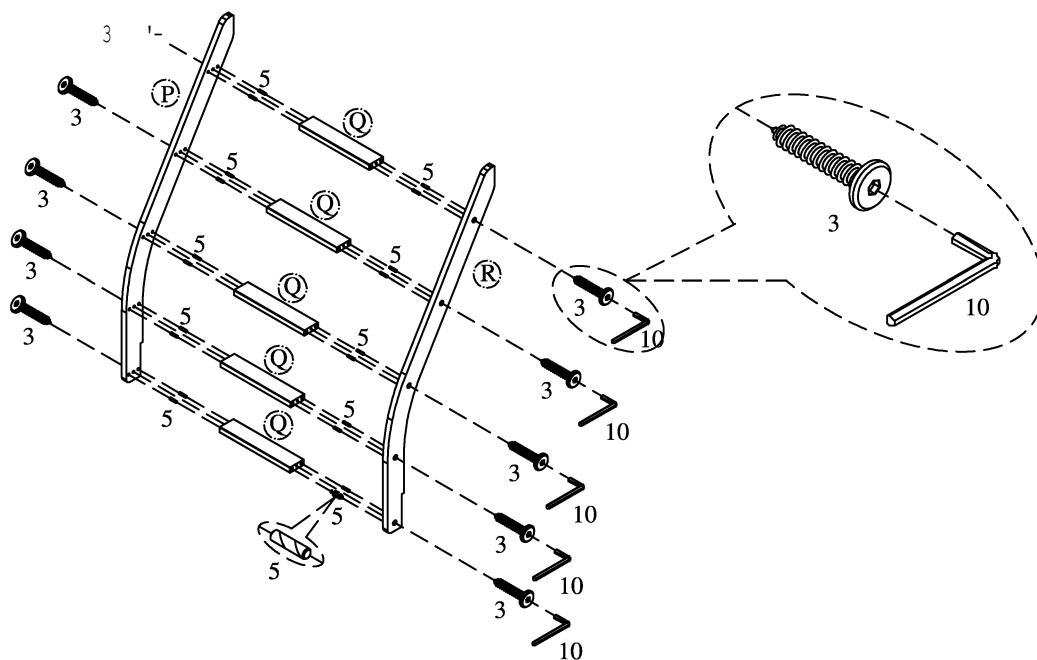
STEP 7: Make bunk bed

BUNK BED ASSEMBLY: Put upper bunk on lower bunk follow dowels (7)



STEP 8: Ladder assembly

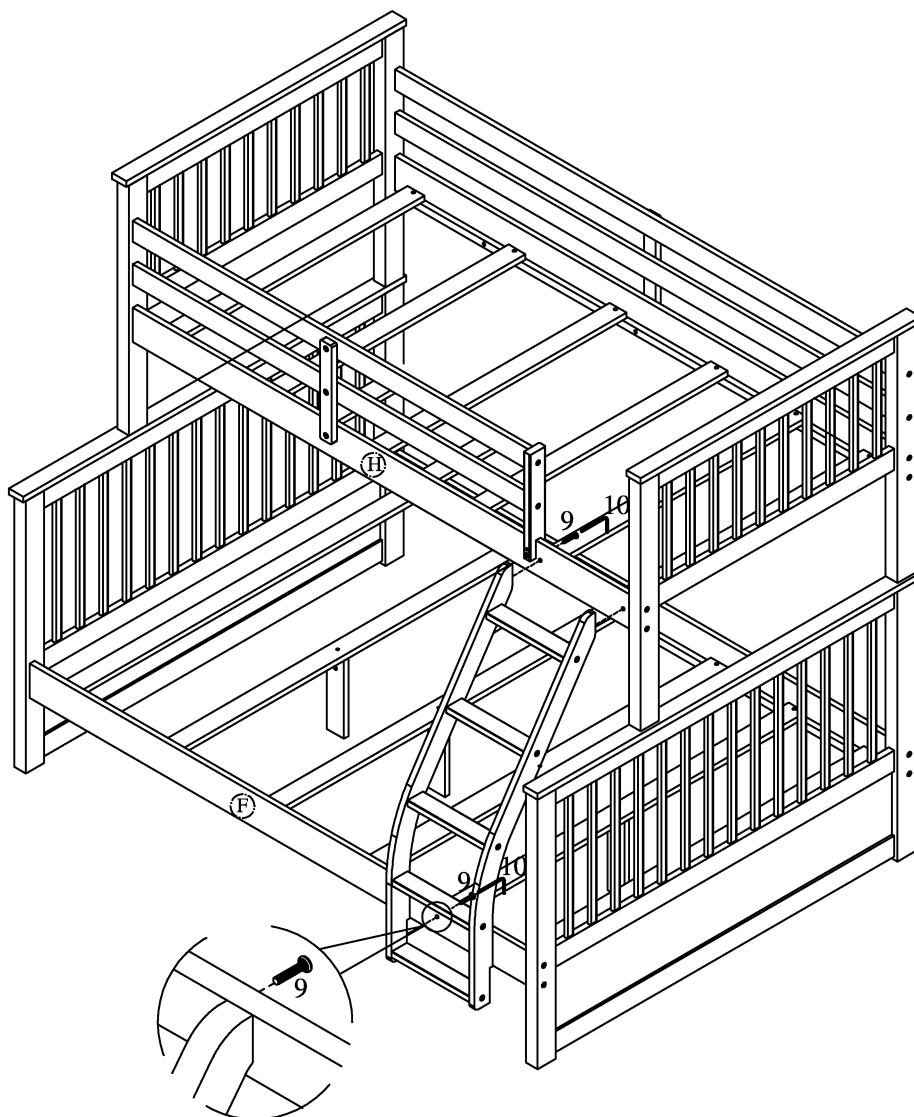
LADDER ASSEMBLY: Put 2 ladder bars (P&R) parallel. Use allen key (10) assembly ladder rungs (Q) with its by bolts (3).



Odessa Twin & Full Bunk Bed

STEP 9: Fix ladder

LADDER ASSEMBLY : Use alen key (10) fix ladder with front side rails (F &H) by bolts (9)



Odessa Twin & Full Bunk Bed