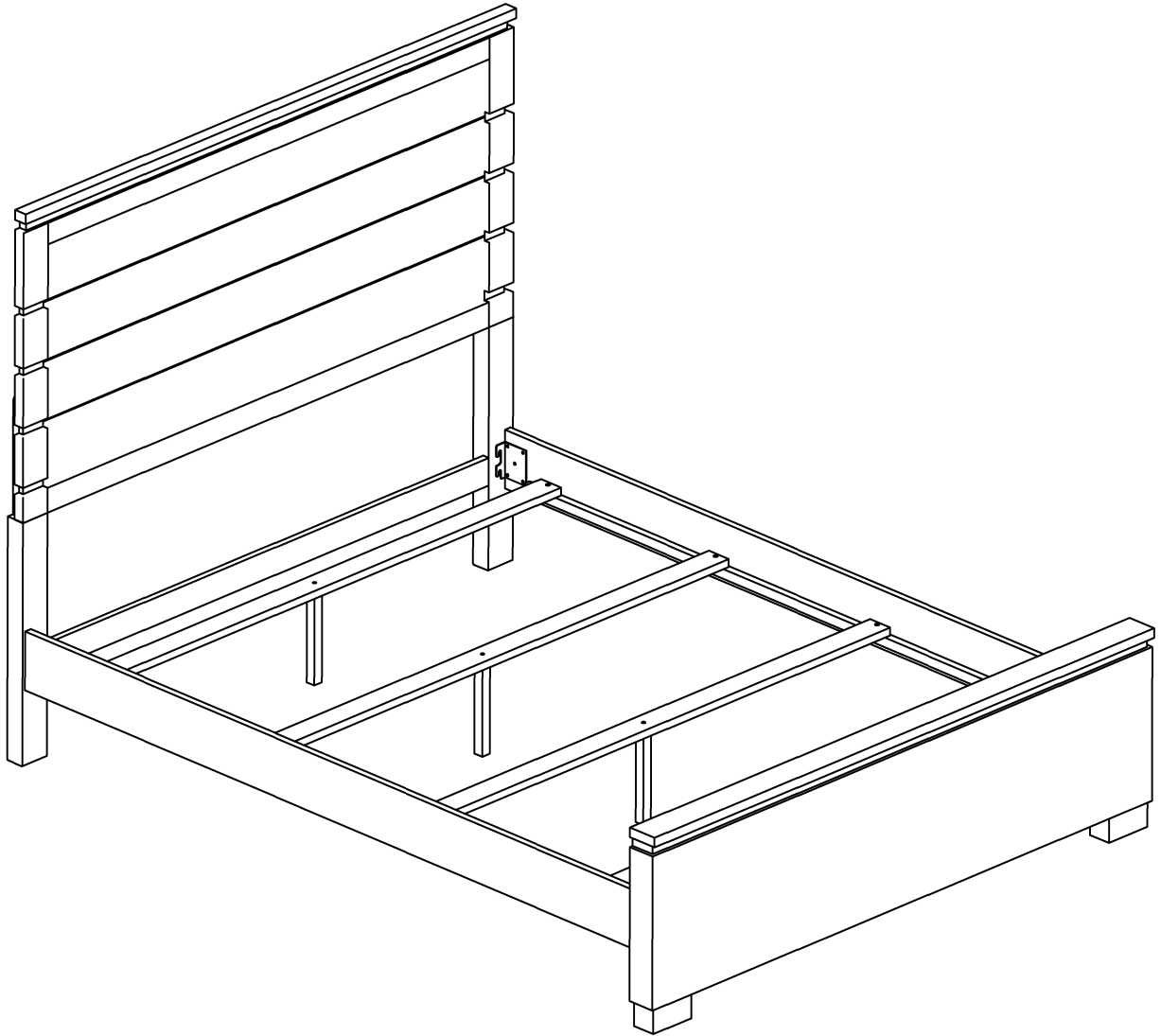


ASSEMBLY INSTRUCTIONS

SKU: SAQ



Description : Savona Queen Bed
Dimension : 2175 x 1632 x 1411 Hmm

BEFORE ASSEMBLY

Thank you for purchasing this quality product. This product has been designed for easy assembly and constructed for durability. Please take the time to read and follow the assembly instructions carefully.

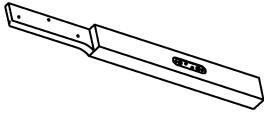
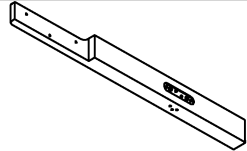
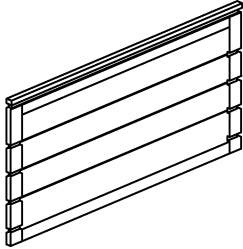
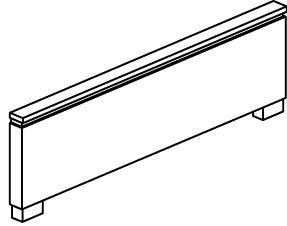
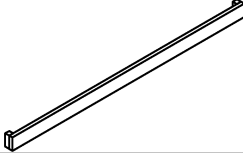
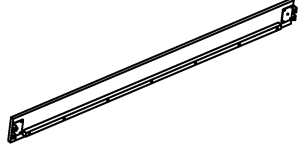
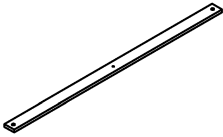
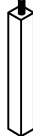
Be sure to check all packing material carefully for small parts which may have come loose inside the carton during shipment. Please separate, identify, and count all parts and metal hardware. Compare with part list to be sure all parts are present.

If hardware is missing or you have difficulty assembling this product, please call for us.

IMPORTANT NOTE:

- Place all wooden parts on a clean and smooth surface such as a rug or carpet to avoid the parts from being scratched.
- Remove all wrapping material, including staples & packing straps before you start to assemble.
- DO NOT tighten all screws and bolts until completely assembled.
- Keep all hardware parts out of reach of children.

PART LIST

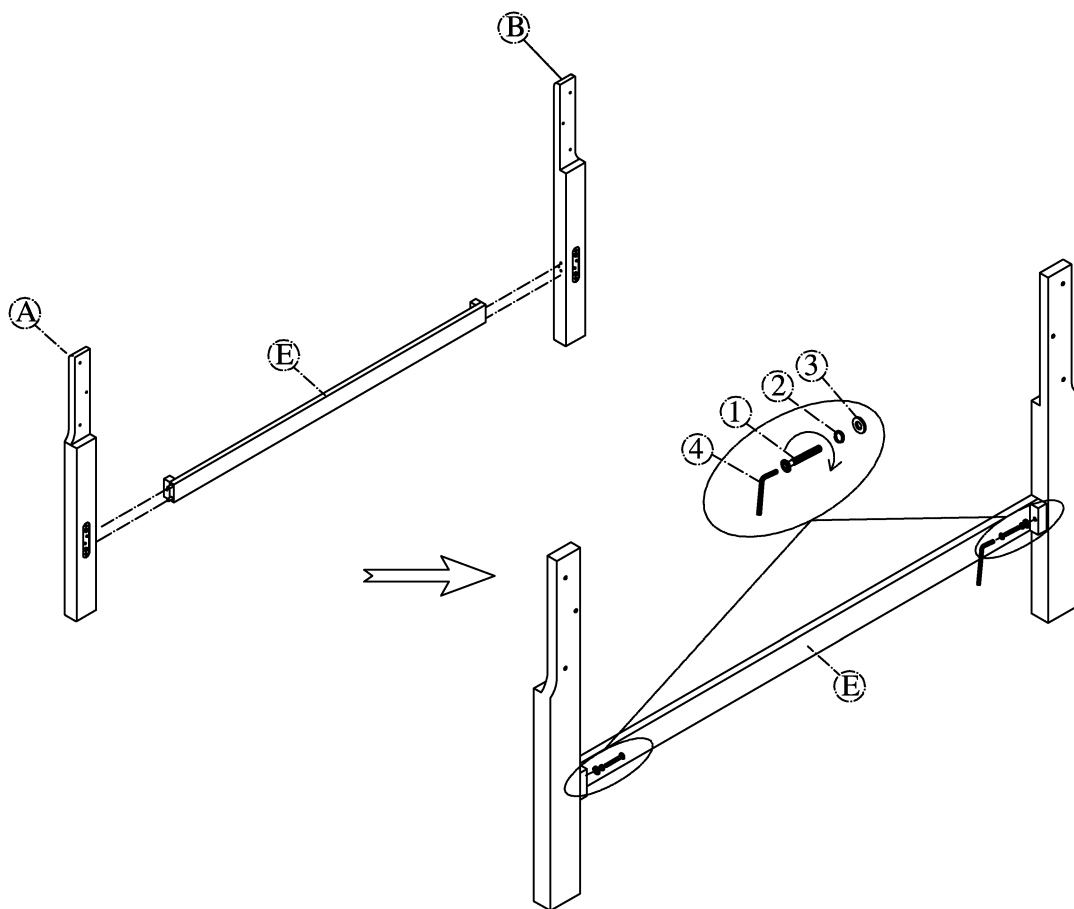
NO	Description	Q'Ty	Sketch	NO	Description	Q'Ty	Sketch
A	Left headboard post	1		B	Right headboard post	1	
C	Headboard panel	1		D	Footboard panel	1	
E	Support bar	1		F	Side rails	2	
G	Slats	4		H	Center support legs	4	

HARDWARE LIST

NO	Description	Q'Ty	Sketch	NO	Description	Q'Ty	Sketch
1	Head hex bolts 1/4" x 45mm	8		2	Spring washer 1/4"	8	(a)
3	Flat washer 1/4"	8	(R)	4	Allen key	1	
5	Head hex bolts 5/16" x 20mm	8	(Rf)	6	Flat washer 5/16"	8	(R)
7	Spring washer 5/16"	8	(a)	8	Screws c8 x 30mm	8	

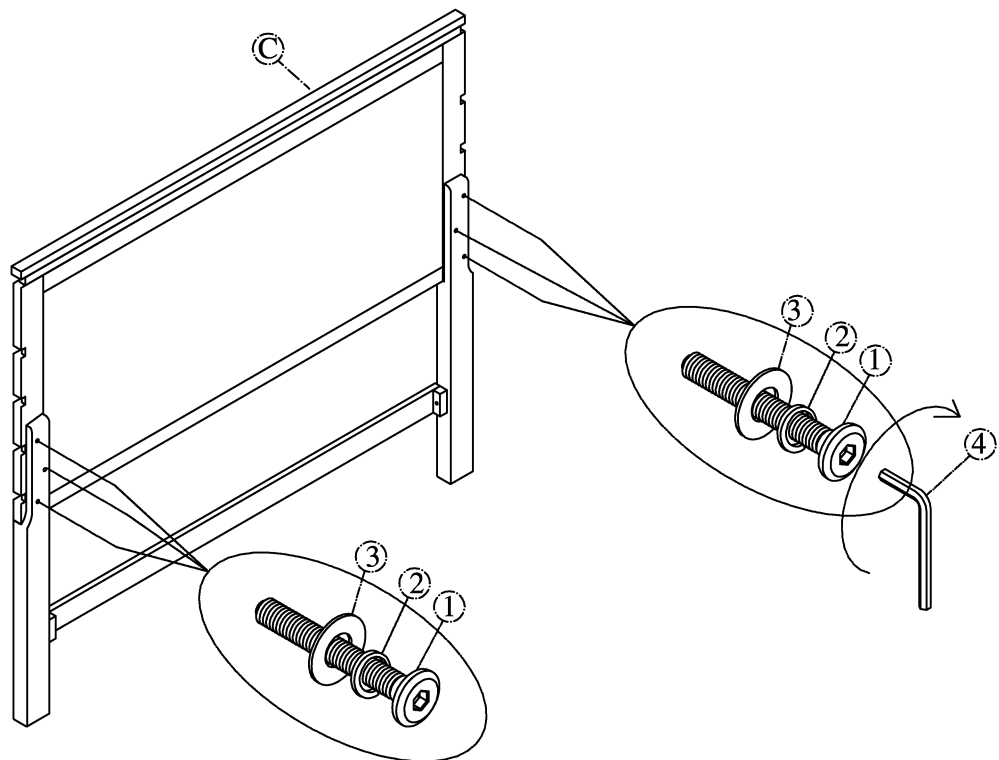
STEP 1 : Assembly headboard

Assembly horizontal support bar {E} with post {A&B} by bolts (1) ,Washer {2&3}.



ISTEP 2 : Assembly headboard

Assembly headboard (C) with post (A&B) by bolts (1) ,Washer (2&3). Tighten bolts



ISTEP 3 : Assembly side rails

Assembly headboard and footboard with side rails (F) by bolts (5), washer (6&7). Tighten bolts.

