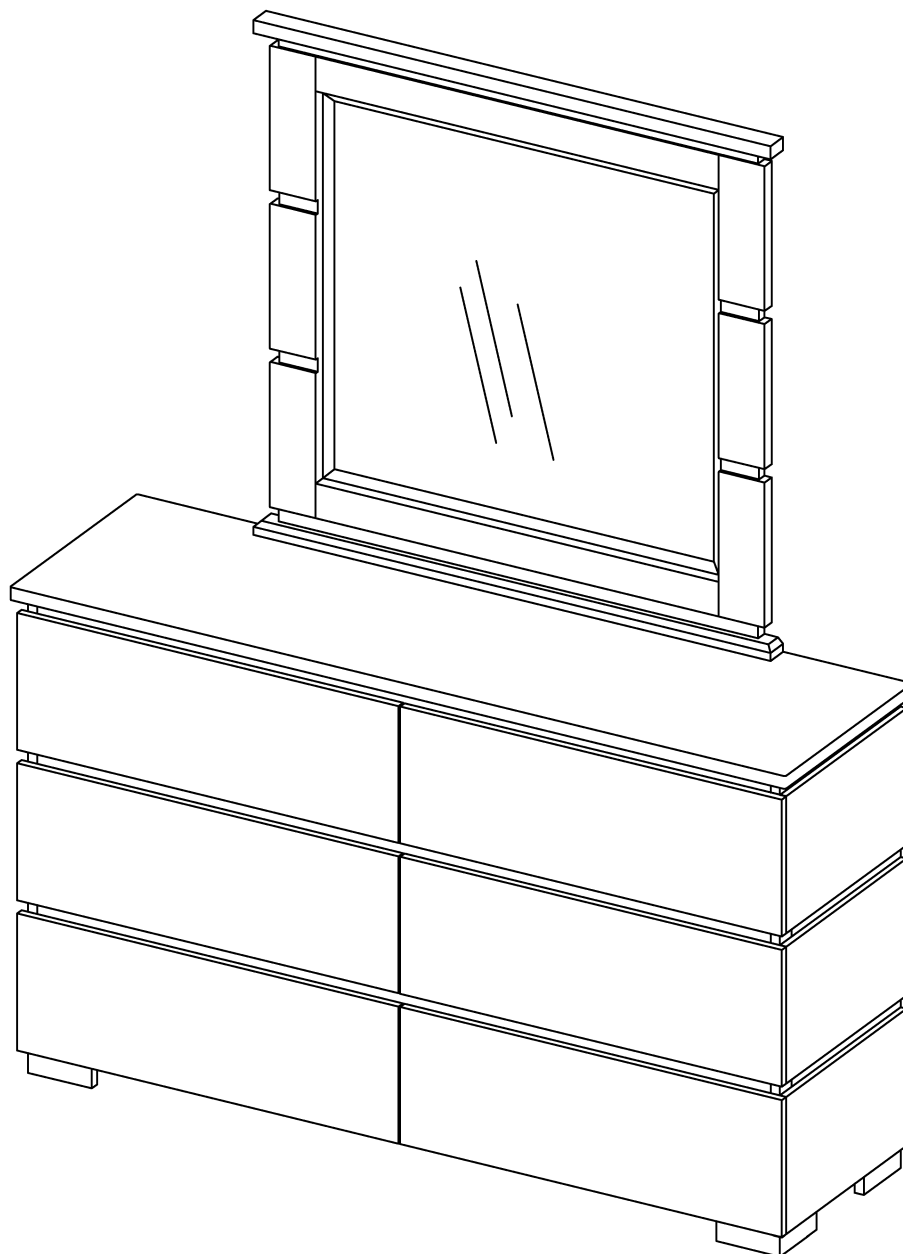


ASSEMBLY INSTRUCTIONS

SKU: SAM



Description : Savona Mirror
Dimension : 1016 x 43 x 1016 Hmm

BEFORE ASSEMBLY

Thank you for purchasing this quality product. This product has been designed for easy assembly and constructed for durability. Please take the time to read and follow the assembly instructions carefully.

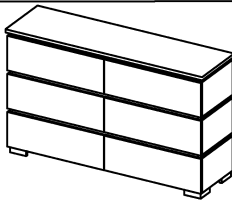
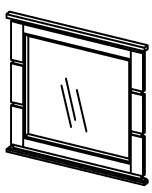
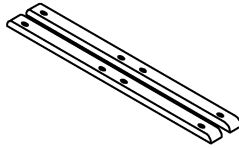
Be sure to check all packing material carefully for small parts which may have come loose inside the carton during shipment. Please separate, identify, and count all parts and metal hardware. Compare with part list to be sure all parts are present.

If hardware is missing or you have difficulty assembling this product, please call for us.

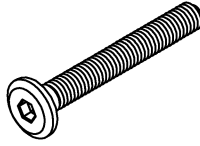


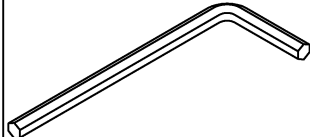
IMPORTANT NOTE:

- Place all wooden parts on a clean and smooth surface such as a rug or carpet to avoid the parts from being scratched.
- Remove all wrapping material, including staples & packing straps before you start to assemble.
- DO NOT tighten all screws and bolts until completely assembled.
- Keep all hardware parts out of reach of children.

PART LIST

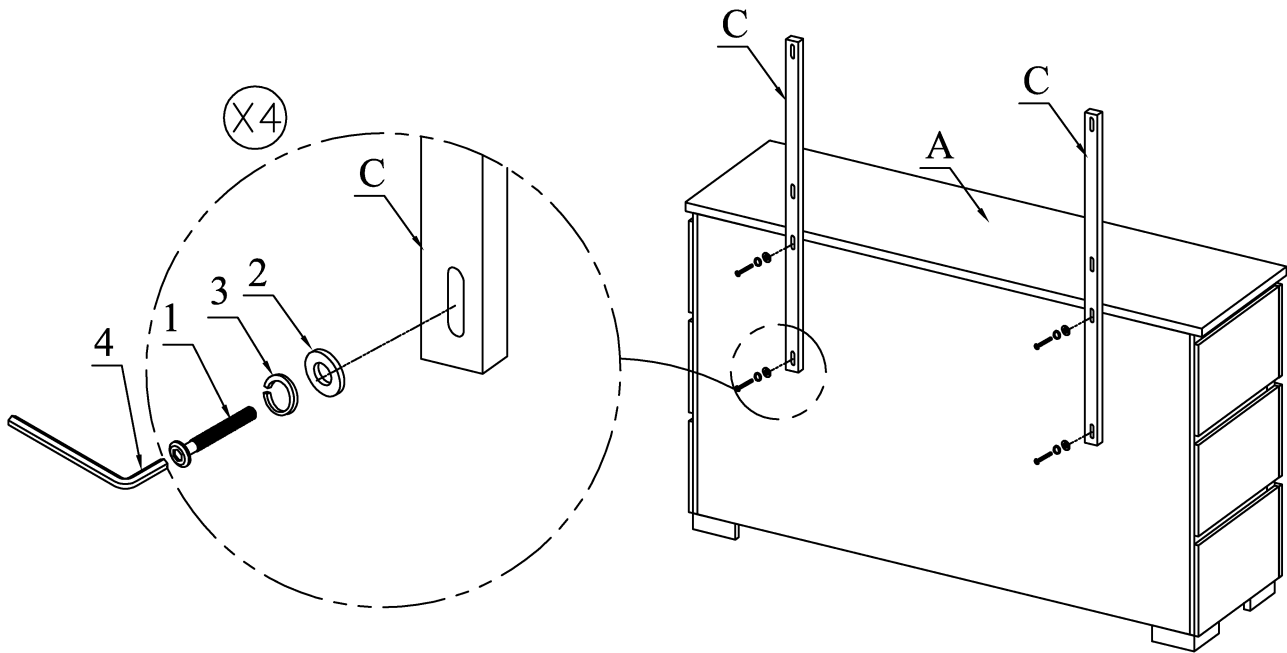
NO	Description	Q'Ty	Sketch	NO	Description	Q'Ty	Sketch
A	Dresser chest	1		B	Mirror	1	
C	Support bars	2					

HARDWARE LIST

NO	Description	Q'Ty	Sketch	NO	Description	Q'Ty	Sketch
1	Head hex bolts 1/4" x 35mm	8		2	Flat washer 1/4"	8	
3	spring washer 1/4"	8		4	Allen key	1	

STEP 1:

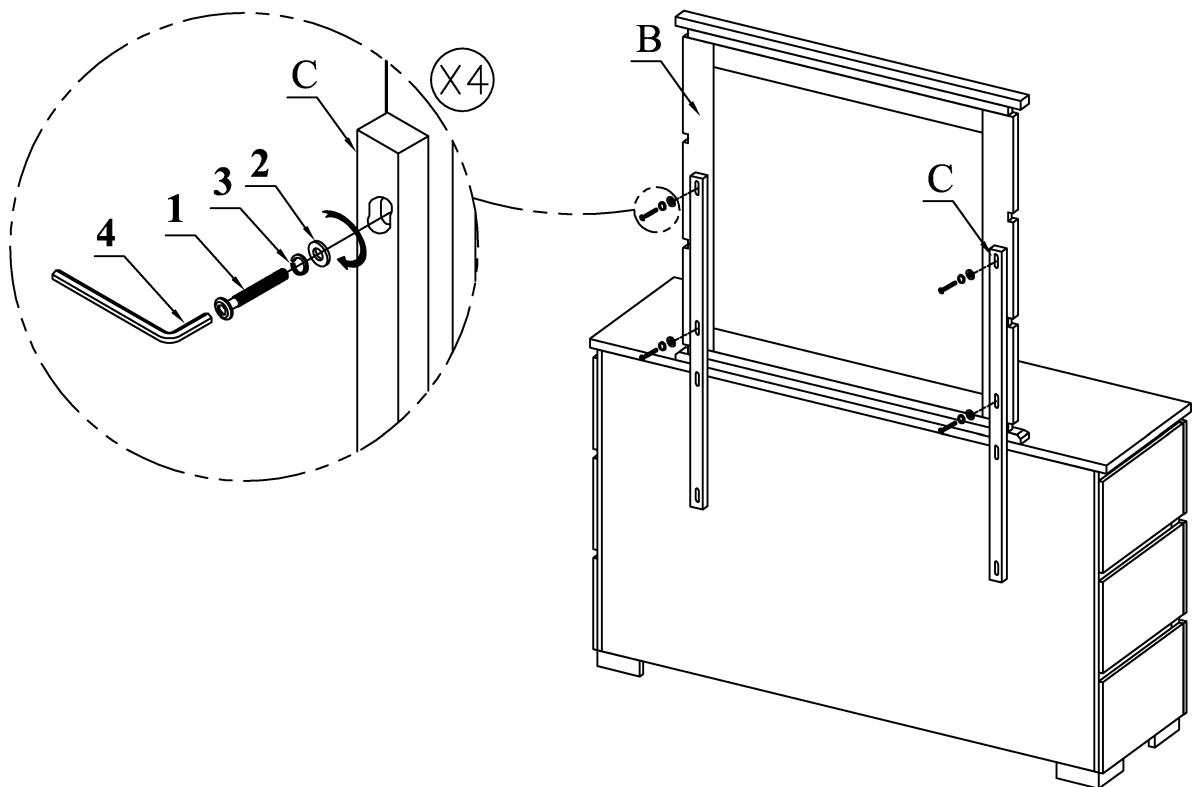
Align support bars (C) follow vertical direction and fix its by bolts (1), washer (2&3)



BACK VIEW

STEP 2:

Put the mirror (B) on top panel of dresser chest (A) and fix by bolts (1), washer (2&3)



BACK VIEW