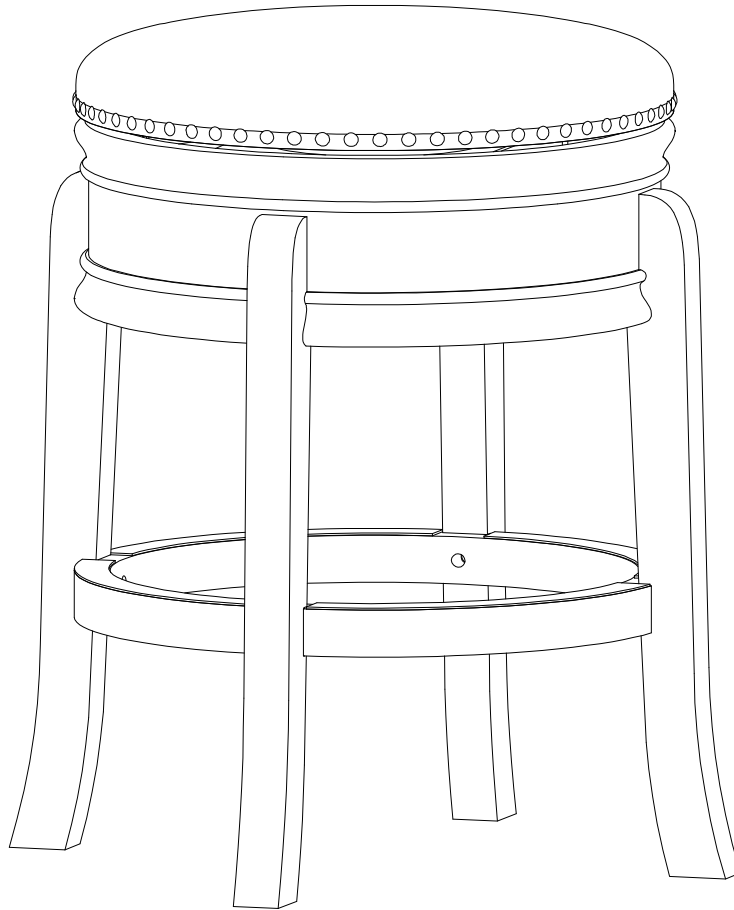


ASSEMBLY INSTRUCTIONS

SKU: AMS024



175 Southbelt Industrial Dr,
Houston, TX 77047
Email:sales@eastwestfurniture.net



Description: AMHERST SWIVEL BACKLESS BARSTOOL 24" SEAT HEIGHT

Product Dimension: 20.8"Wx20.8"Dx24"H

Cube Size : 21.6" x17.7"x12.5"

NW : 18.7 LBS

GW : 22 LBS

AMHERST SWIVEL BACKLESS BARSTOOL 24" SEAT HEIGHT

BEFORE ASSEMBLY

Thank you for purchasing our product. This product has been designed for easy assembly and long lasting use. Please take the time to read and follow the assembly instructions carefully

Be sure to check all packing material carefully for small parts which may have come loose inside the carton during shipment. Please separate, identify, and count all parts and metal hardware. Compare with part list to be sure all parts are present. If hardware is missing or you have difficulty assembling this product, please call for us.

IMPORTANT NOTE:

- Place all wooden parts on a clean and smooth surface such as a rug or carpet to avoid the parts from being scratched.
- Remove all wrapping material, including staples & packing straps before you start to assemble.
- DO NOT tighten all screws and bolts until completely assembled.
- Keep all hardware parts out of reach of children.

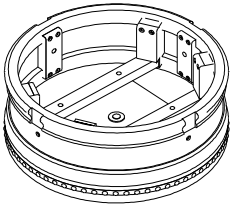
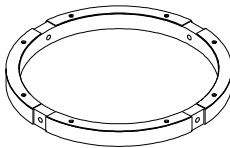
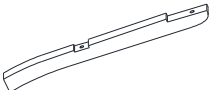
ASSEMBLY TOOLS REQUIRED

NOT INCLUDED







PART LIST

When unpacking, please be careful not to discard any parts with the packaging. Before continuing, please make sure you have the following parts:

NO	Description	Qty	Sketch	NO	Description	Qty	Sketch
A	Seat Cushion	1		B	Footrest	1	
C	Leg	4					

HARDWARE LIST

When unpacking, please be careful not to discard any parts with the packaging. Before continuing, please make sure you have all of the following hardware:

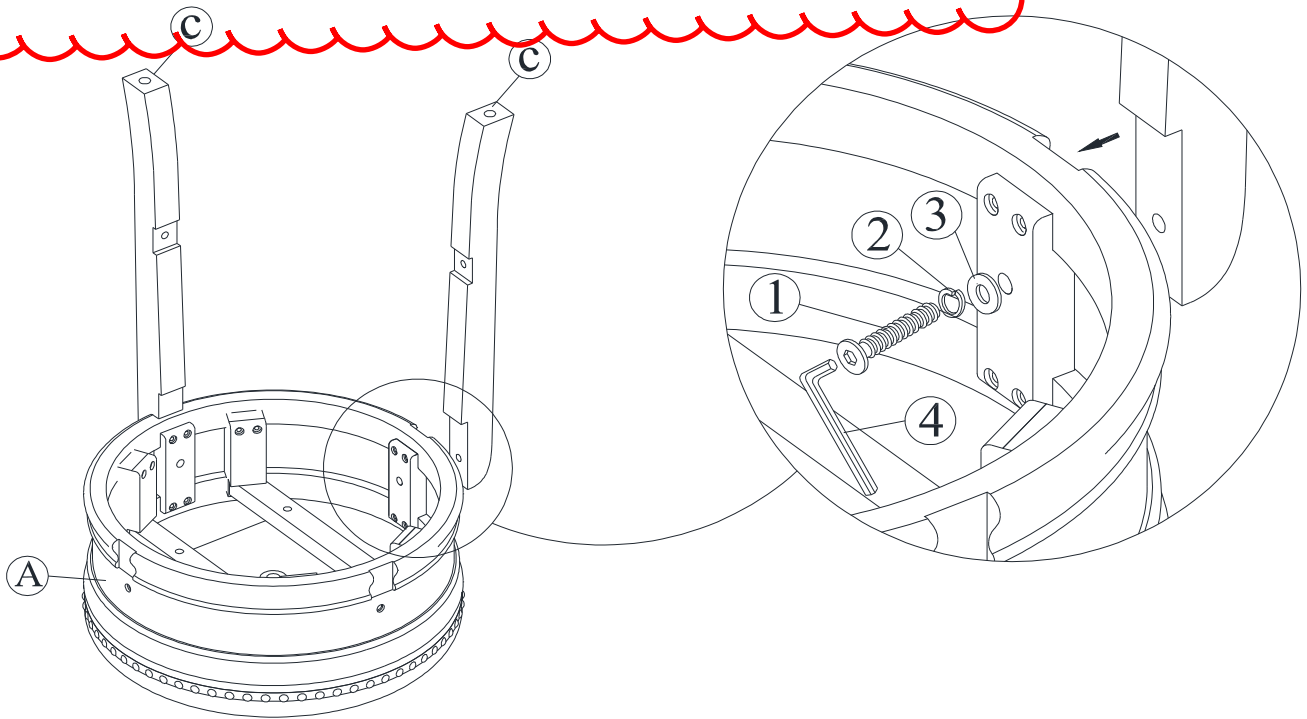
NO	Description	Qty	Sketch	NO	Description	Qty	Sketch
1	Bolt (M6x40mm)	8		2	Lock Washer (Ø6.5x9)	8	
3	Flat Washer (Ø6.5x19)	8		4	Allen Key (4mm)	1	

AMHERST SWIVEL BACKLESS BARSTOOL 24" SEAT HEIGHT

STEP 1

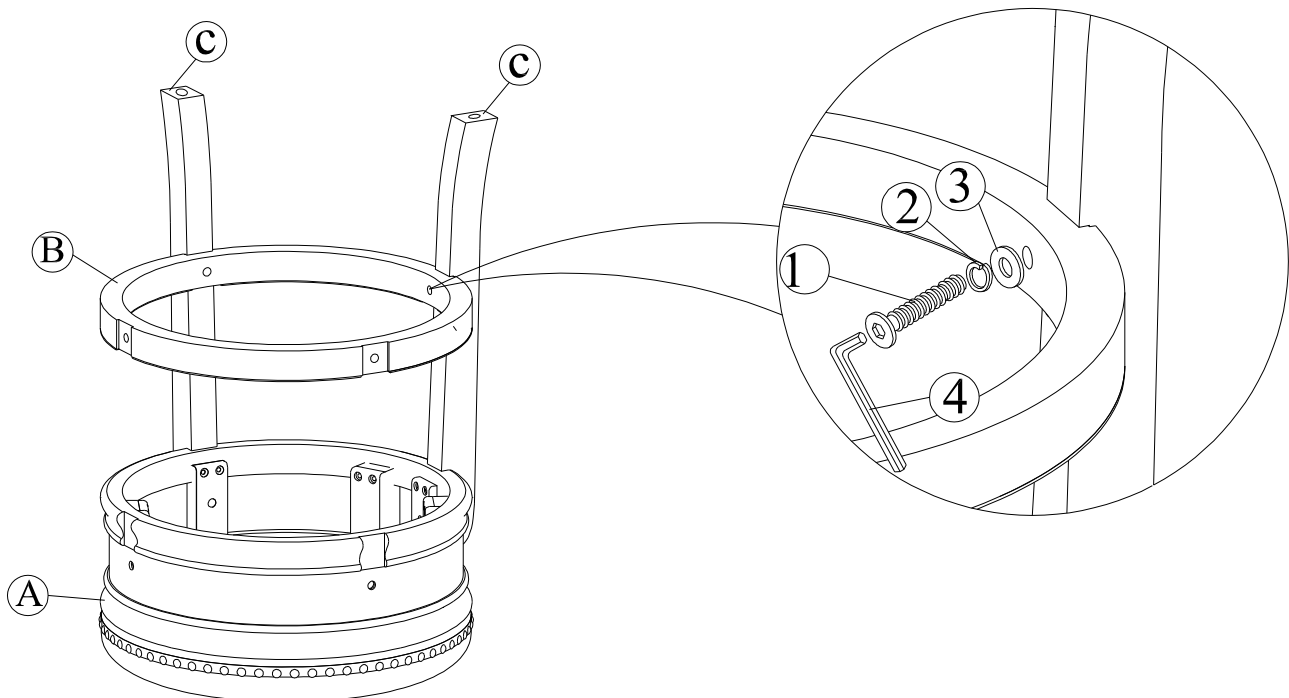
Attach Two Legs (C) to the Seat cushion (A) by using bolts (1) and washers (1), (2). Tighten with Allen Key (4).

Note: DO NOT tighten with 100% torque tension, until the chair is assembled.



STEP 2

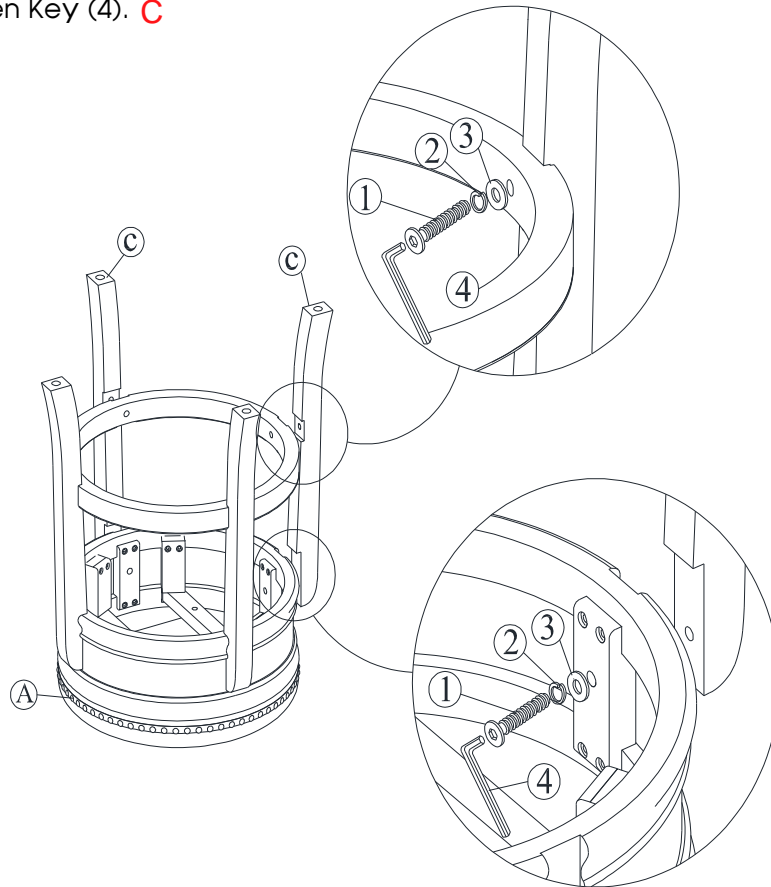
Attach Footrest (B) to the Legs. Use bolts (1), washers (2) and (3). Tighten with Allen Key (4).



AMHERST SWIVEL BACKLESS BARSTOOL 24" SEAT HEIGHT

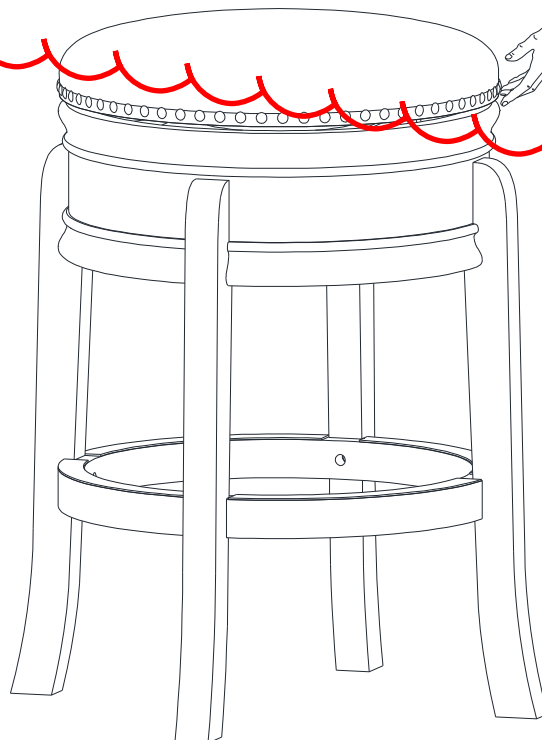
STEP 3

Attach the other two legs (D) to Footrest (B) and Seat cushion (A) Use bolts (1), washers (2) and (3). Tighten with Allen Key (4). C



STEP 4

Put the chair on a flat level surface to make sure the chair is level and then tighten the all bolts with 100% torque tension.



CAUTION: Watch your fingers during the assembly

AMHERST SWIVEL BACKLESS BARSTOOL 24" SEAT HEIGHT