

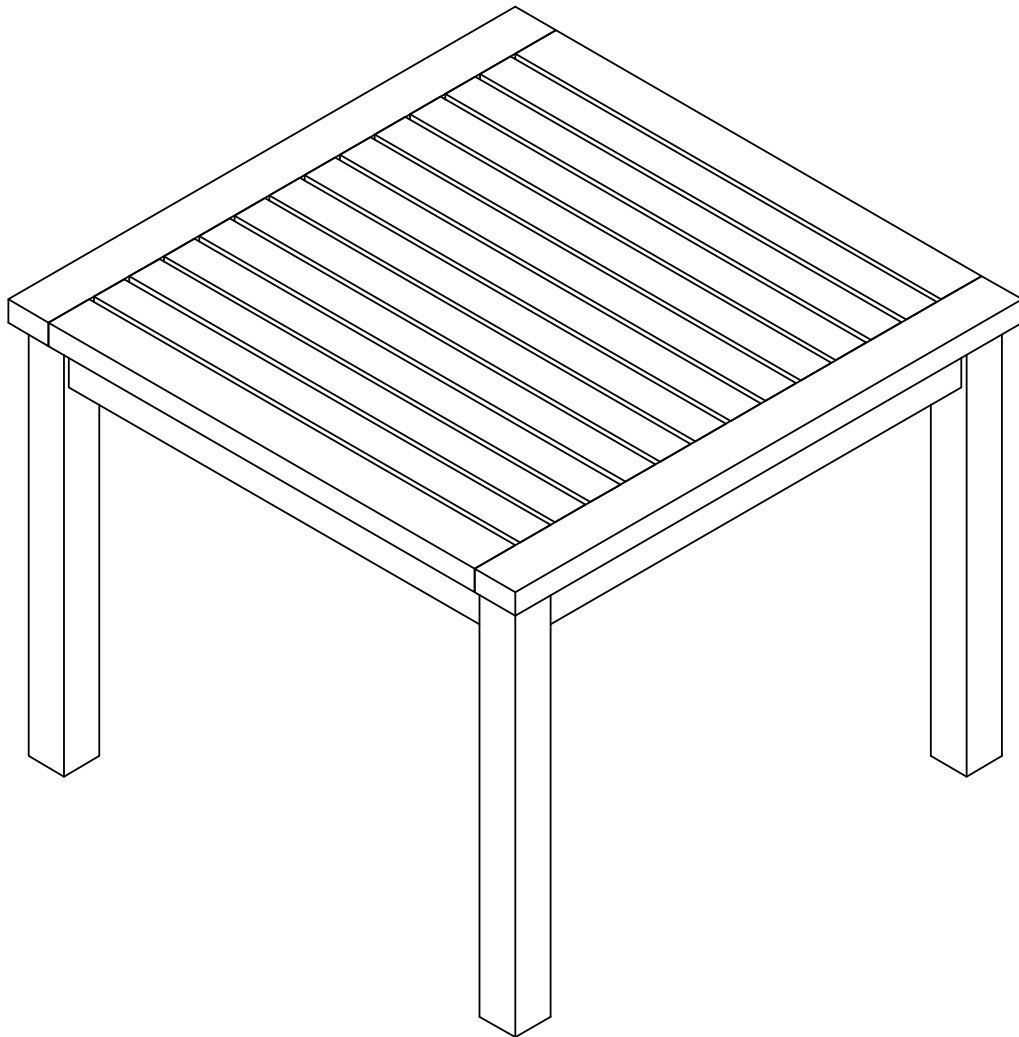
ASSEMBLY INSTRUCTIONS

SKU: BBI3CNA



175 Southbelt Industrial Drive,
Houston, TX 77047

Email: info@eastwestfurniture.net



Description : Bristol 3 Piece Conversation Set
Dimension : 19.69"L x 19.69"W x 15.35"H
Cube Size : 26.0" x 26.0" x 16.9"

NW: 43.0 LBS
GW: 51.8 LBS

Bristol 3 Piece Conversation Set

BEFORE ASSEMBLY

Thank you for purchasing this quality product. This product has been designed for easy assembly and constructed for durability. Please take the time to read and follow the assembly instructions carefully.

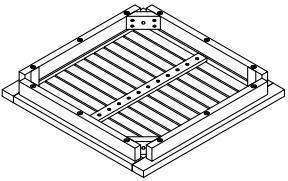
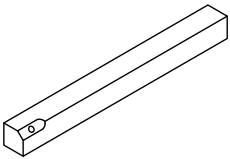
Be sure to check all packing material carefully for small parts which may have come loose inside the carton during shipment. Please separate, identify, and count all parts and metal hardware. Compare with part list to be sure all parts are present. If hardware is missing or you have difficulty assembling this product, please call for us.

IMPORTANT NOTE:

- Place all wooden parts on a clean and smooth surface such as a rug or carpet to avoid the parts from being scratched.
- Remove all wrapping material, including staples & packing straps before you start to assemble.
- DO NOT tighten all screws and bolts until completely assembled.
- Keep all hardware parts out of reach of children.




PART LIST

When unpacking, please be careful not to discard any parts with the packaging. Before continuing, please make sure you have the following parts:

NO	Description	Qty	Sketch	NO	Description	Qty	Sketch
A	Top	1		B	Legs	4	

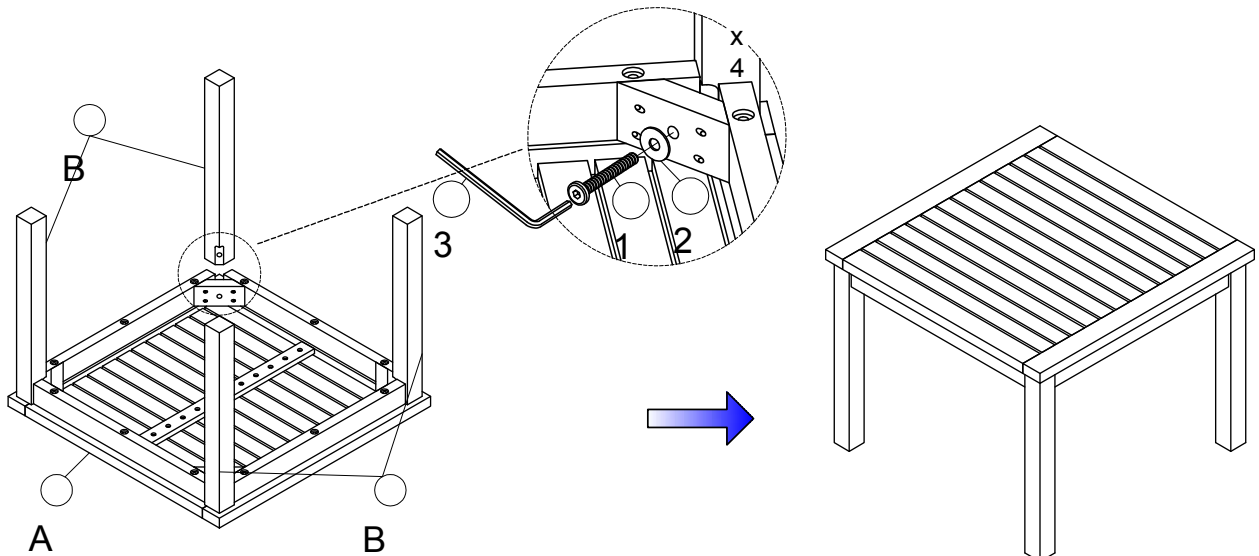
HARDWARE LIST

When unpacking, please be careful not to discard any parts with the packaging. Before continuing, please make sure you have all of the following hardware:

NO	Description	Qty	Sketch	NO	Description	Qty	Sketch
1	Bolt (M8x60)	4		2	Washer	4	
3	Allen key (M4mm)	1					

STEP 1

Attach Legs (B) to Top (A) using Bolt (1), Washer (2) and Allen key (3). Fully tighten all Bolts.



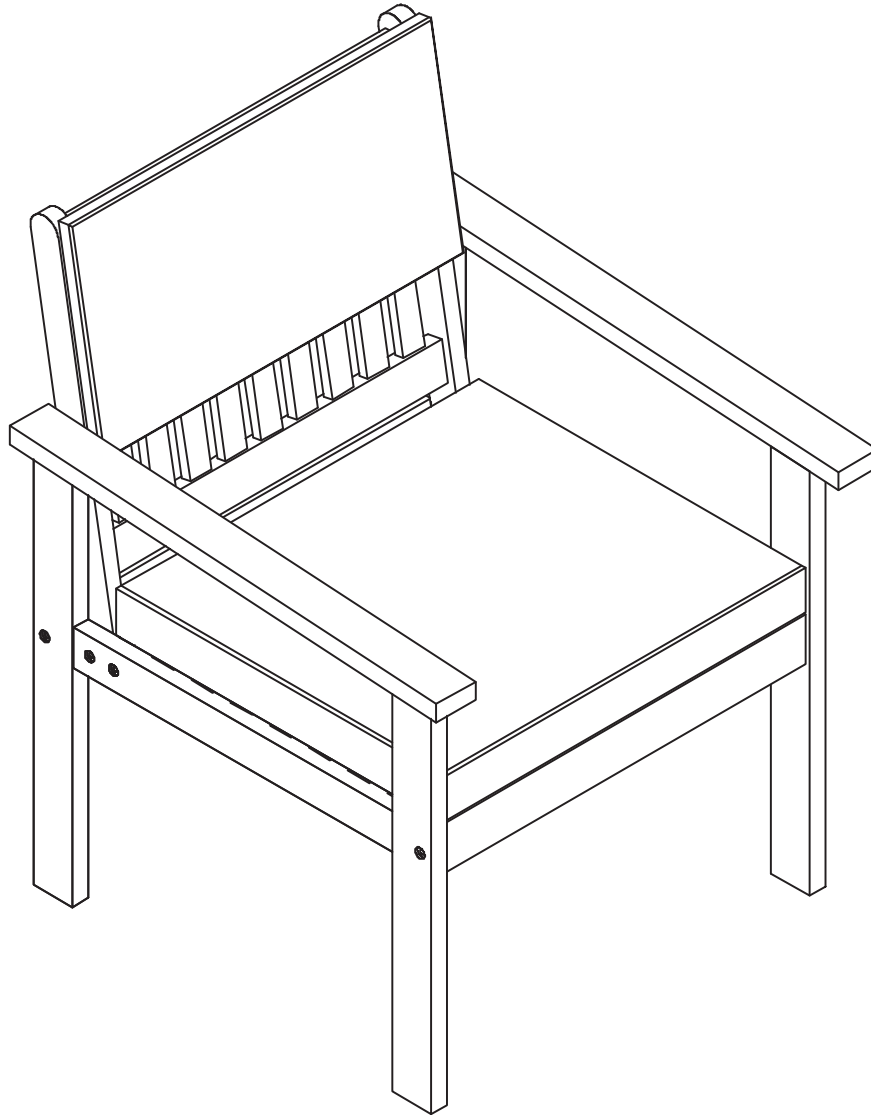
ASSEMBLY INSTRUCTIONS

SKU: BBI3CNA



175 Southbelt Industrial Drive,
Houston, TX 77047

Email: info@eastwestfurniture.net



Description : Bristol 3 Piece Conversation Set
Dimension : 24.40"L x 24.40"W x 31.5"H
Cube Size : 26" x 26" x 16.9"

NW: 43.0 LBS

GW: 51.8 LBS

Bristol 3 Piece Conversation Set

BEFORE ASSEMBLY

Thank you for purchasing this quality product. This product has been designed for easy assembly and constructed for durability. Please take the time to read and follow the assembly instructions carefully.

Be sure to check all packing material carefully for small parts which may have come loose inside the carton during shipment. Please separate, identify, and count all parts and metal hardware. Compare with part list to be sure all parts are present.


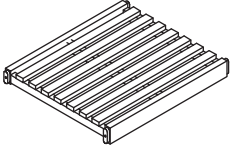
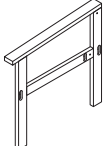
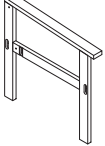

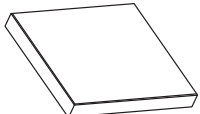

If hardware is missing or you have difficulty assembling this product, please call for us.

IMPORTANT NOTE:

- Place all wooden parts on a clean and smooth surface such as a rug or carpet to avoid the parts from being scratched.
- Remove all wrapping material, including staples & packing straps before you start to assemble.
- DO NOT tighten all screws and bolts until completely assembled.
- Keep all hardware parts out of reach of children.

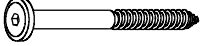


PART LIST

When unpacking, please be careful not to discard any parts with the packaging. Before continuing, please make sure you have the following parts:

NO	Description	Qty	Sketch	NO	Description	Qty	Sketch
A	Backrest	1		B	Seat frame	1	
C	Right arm leg	1		D	Left arm leg	1	
E	Cross bar	1		F	Seat cushion	1	
G	Back cushion	1					

HARDWARE LIST

When unpacking, please be careful not to discard any parts with the packaging. Before continuing, please make sure you have all of the following hardware:

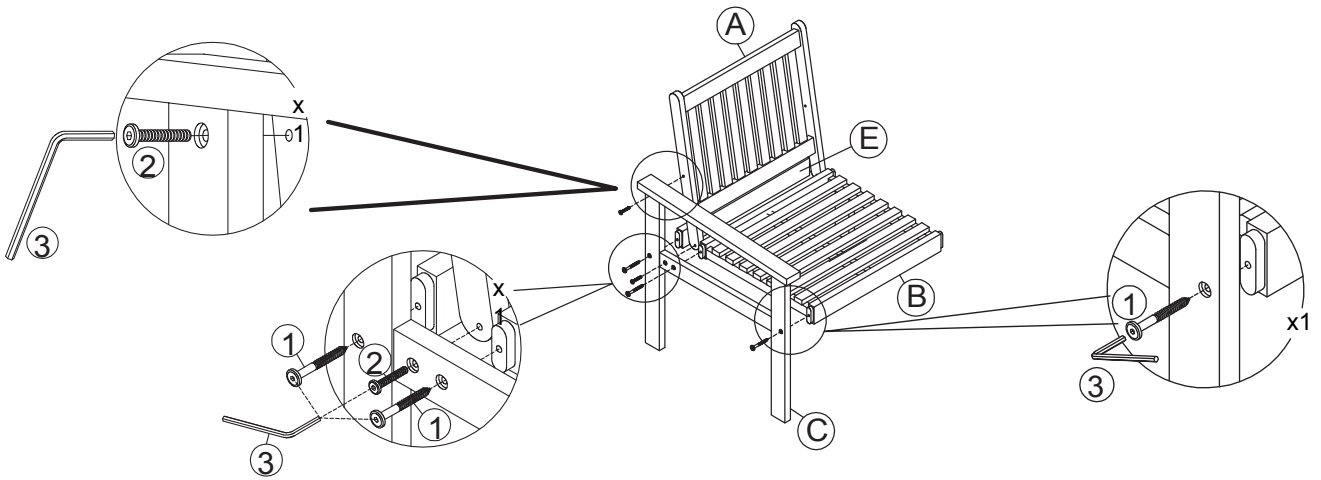
NO	Description	Qty	Sketch	NO	Description	Qty	Sketch
1	Wood Screw (M7x60)	6		2	Bolt (M6x35)	4	
3	Allen key (M4mm)	1					

Bristol 3 Piece Conversation Set

STEP 1

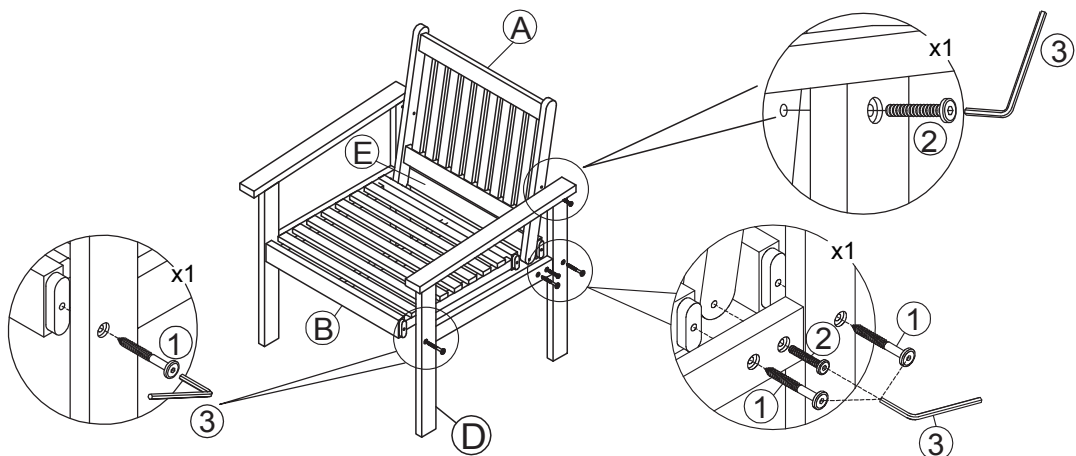
Attach Backrest (A), Seat frame (B), Cross bar (E) to the Right Arm leg (C) by using Wood screw (1), Bolts (2) and Allen Key (3)

Note: DO NOT tighten any of the bolts and screws, until the chair is assembled, then put on a flat level surface to make sure the chair is level and then tighten the bolts, screws



STEP 2

Attach Left Arm leg (D) to Backrest (A), Seat frame (B), Cross bar (E) by using Wood screw (1), Bolts (2) and Allen Key (3). Fully tighten all Wood screw and Screw.



STEP 3

Attach Seat Cushion (F) to the seat frame (B) and Back Cushion (G) to Back frame (A) as shown below.

