



ASSEMBLY INSTRUCTION VIDEO

SKU: BHNU1NA



VIEW ON SMARTPHONE



1. Open Camera app



2. Position camera to the QR code



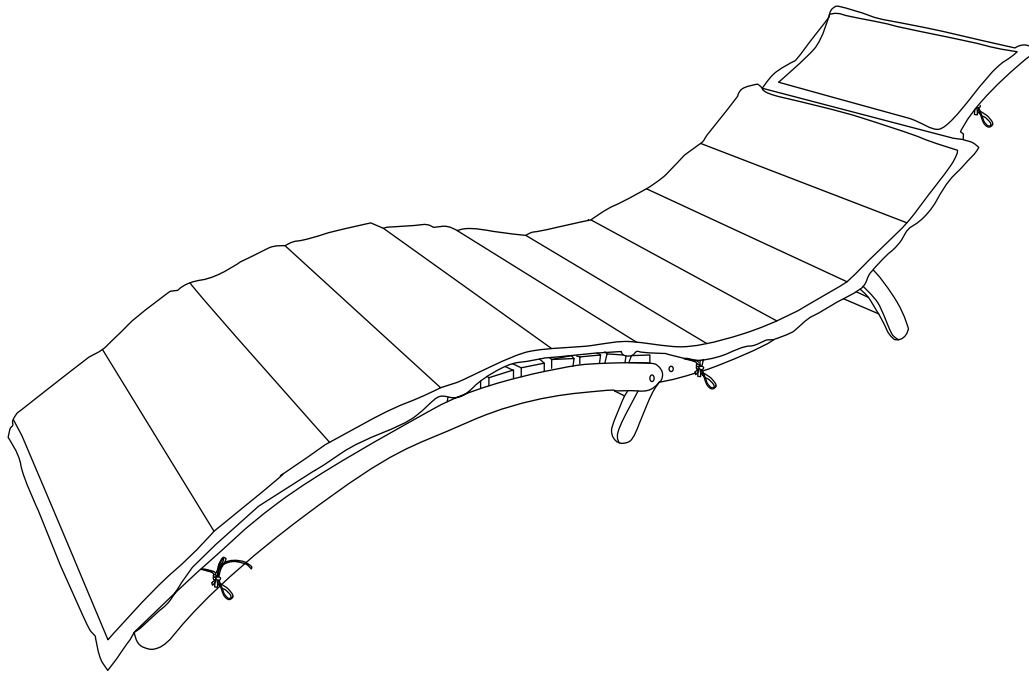
3. Click on the pop-up link

VIEW ON COMPUTER



ASSEMBLY INSTRUCTIONS

SKU: BHNU1NA



Description : Helena Sun Lounger with Cushion

Dimension : 72.44"L x 21.65"W x 25.19"H

Cube Size : 39" x 23.6" x 9.4"

NW: 32.0 LBS

GW: 39.7 LBS

BEFORE ASSEMBLY

Thank you for purchasing this quality product. This product has been designed for easy assembly and constructed for durability. Please take the time to read and follow the assembly instructions carefully.

Be sure to check all packing material carefully for small parts which may have come loose inside the carton during shipment. Please separate, identify, and count all parts and metal hardware. Compare with part list to be sure all parts are present. If hardware is missing or you have difficulty assembling this product, please call for us.

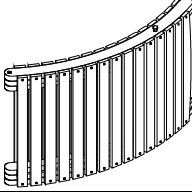
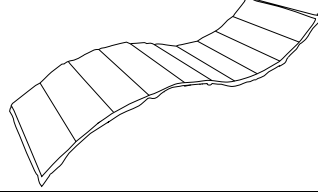
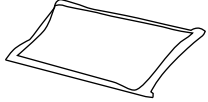
IMPORTANT NOTE:

- Place all wooden parts on a clean and smooth surface such as a rug or carpet to avoid the parts from being scratched.
- Remove all wrapping material, including staples & packing straps before you start to assemble.
- DO NOT tighten all screws and bolts until completely assembled.
- Keep all hardware parts out of reach of children.

Helena Sun Lounger with Cushion

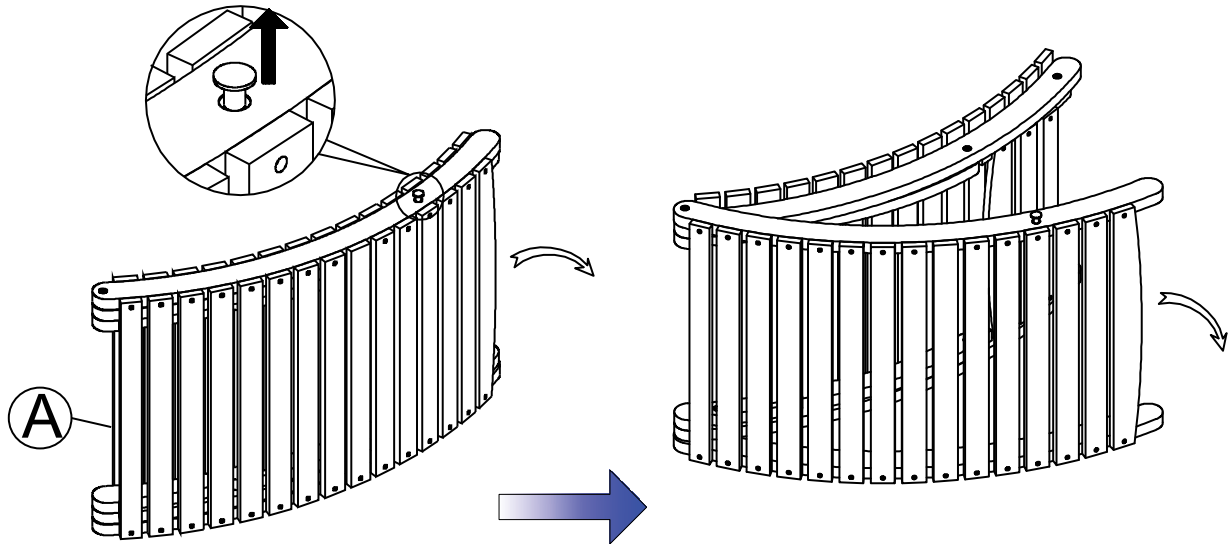
PART LIST

When unpacking, please be careful not to discard any parts with the packaging. Before continuing, please make sure you have the following parts:

NO	Description	Qty	Sketch	NO	Description	Qty	Sketch
A	Lounger	1		B	Seat Cushion	1	
C	Back Cushion	1					

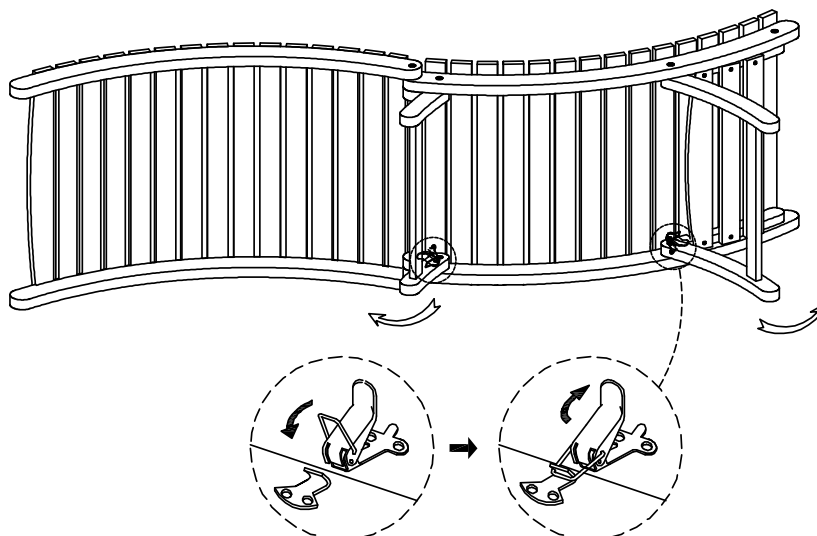
STEP 1

Open Lounger (A) follow direction of arrows as shown below.



STEP 2

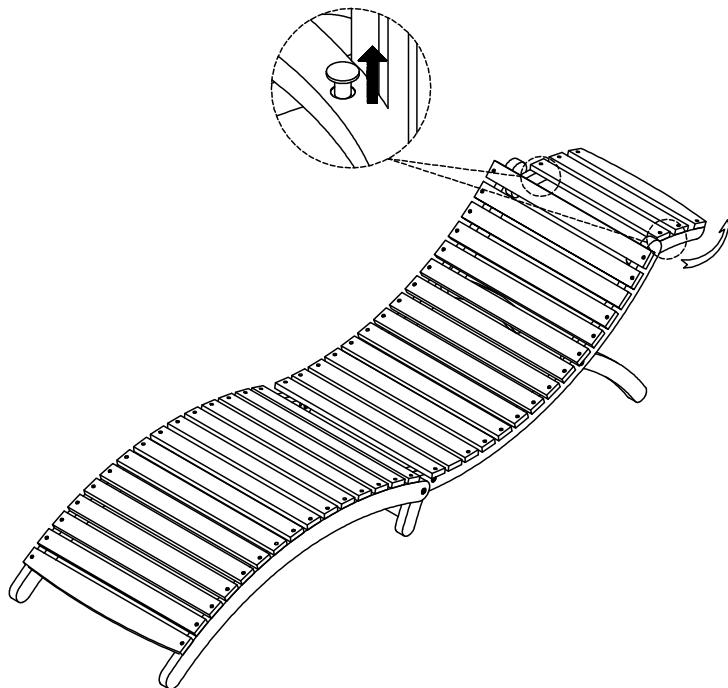
Open and Lock the Legs of Lounger follow direction of arrows as shown below.



Helena Sun Lounger with Cushion

STEP 3

Open backrest follow direction of arrows as shown below.



STEP 4

Attach Seat cushion (B) and Back cushion (C) to Lounger (A) as shown below.

