



ASSEMBLY INSTRUCTION VIDEO

SKU: DOT-MAH-T

VIEW ON SMARTPHONE



1. Open Camera app



2. Position camera to the QR code



3. Click on the pop-up link

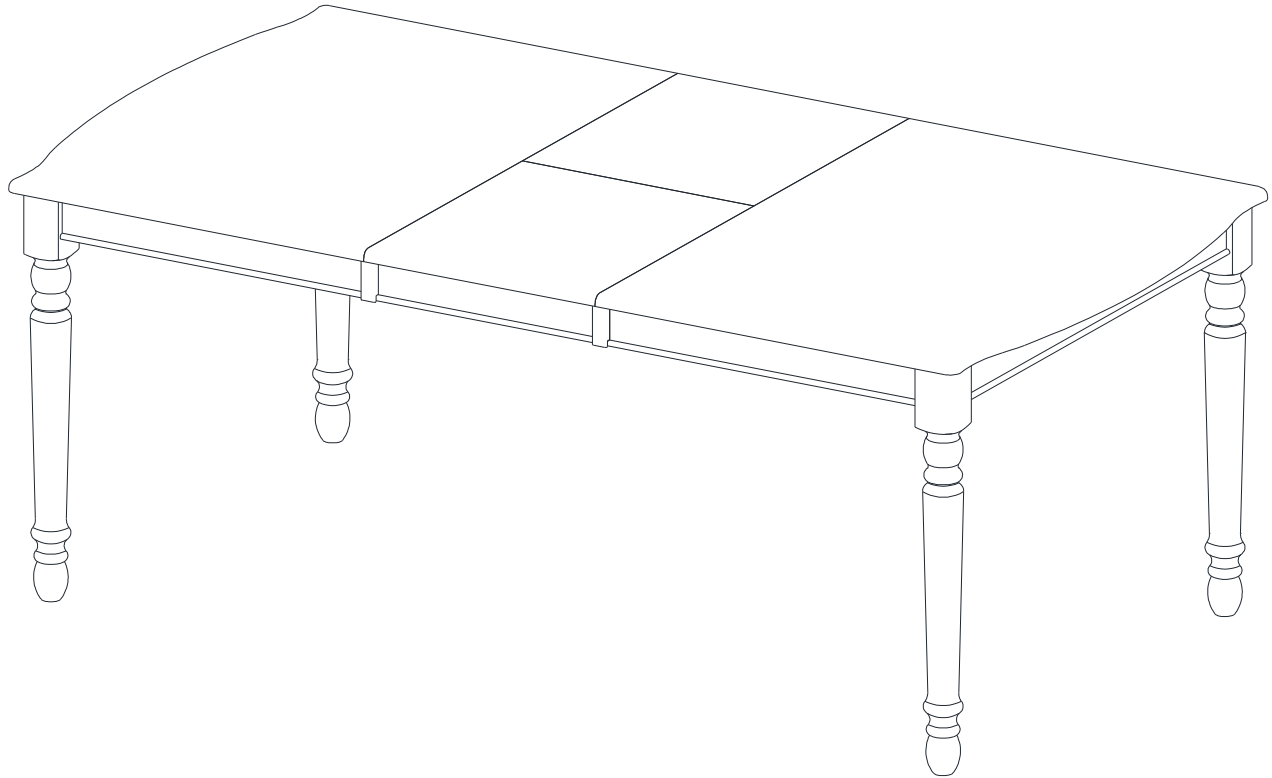
VIEW ON COMPUTER



ASSEMBLY INSTRUCTIONS

SKU:DOT


EAST WEST
FURNITURE, LLC
175 Southbelt Industrial Dr
Houston, TX 77047
Email: info@eastwestfurniture.net



Description : DOVER TABLE WITH 18" BUTTERFLY LEAF :
Dimension 42"Wx60"/78"Dx30"H
Cube size : 62.5"x45.4"x6.9"

NW : 118.8 LBS
GW : 129.8 LBS

DOVER TABLE WITH 18" BUTTERFLY LEAF

BEFORE ASSEMBLY

Thank you for purchasing this Whitewood Industries Inc.'s quality product. This product has been designed for easy assembly and constructed for durability. Please take the time to read and follow the assembly instructions carefully.

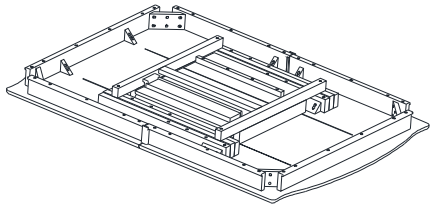
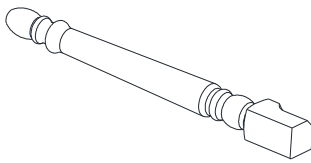
Be sure to check all packing material carefully for small parts, which may have come loose inside the carton during shipment. Please separate, identify, and count all parts and metal hardware. Compare with part list to be sure all parts are present. If hardware is missing or you have difficulty assembling this product, please call for us.

IMPORTANT NOTE:

- Place all wooden parts on a clean and smooth surface such as a rug or carpet to avoid the parts from being scratched.
- Remove all wrapping material, including staples & packing straps before you start to assemble.
- DO NOT tighten all screws, bolts until all completely assembled.
- Keep all hardware parts out of reach of children



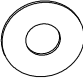
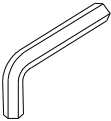
PART LIST

When unpacking, please carefully not to discard any parts with the packaging. Before continuing, please make sure you have all of the following parts:

NO	Description	Qty	Sketch	NO	Description	Qty	Sketch
A	Top	1		B	Leg	4	

HARDWARE LIST

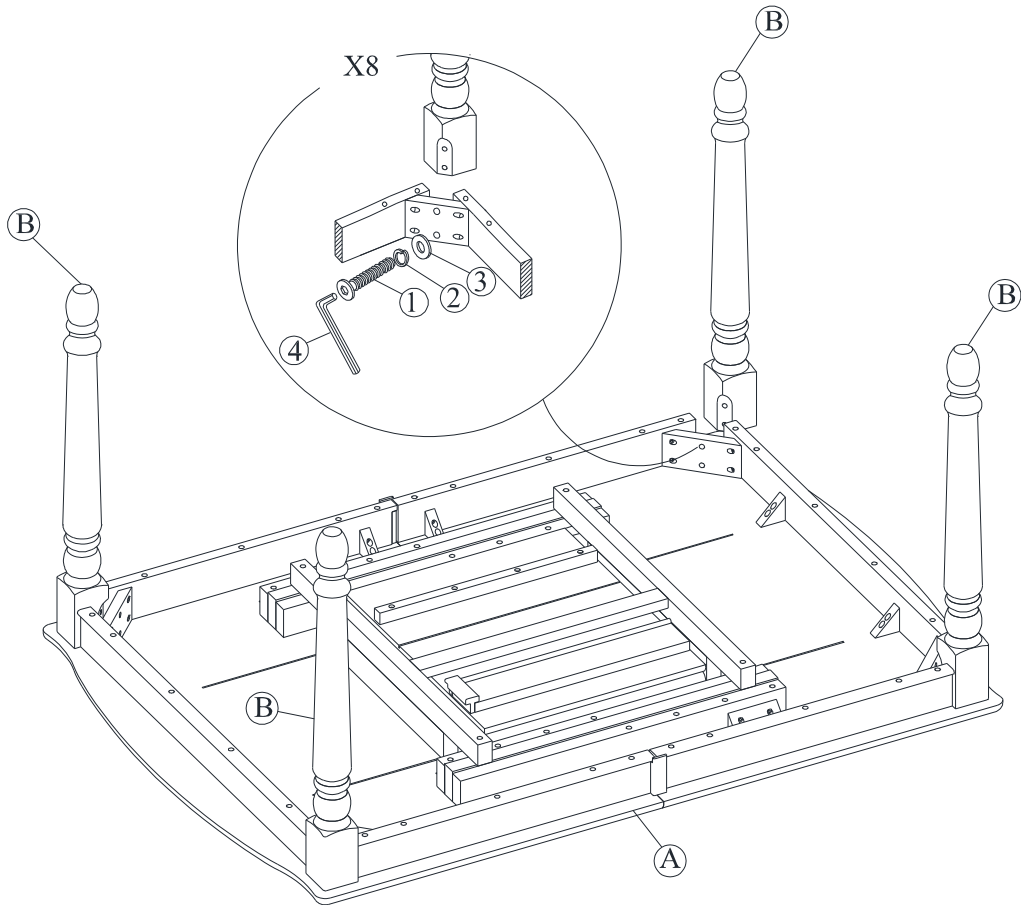
When unpacking, please carefully not to discard any parts with the packaging. Before continuing, please make sure you have all of the following hardware:

NO	Description	Qty	Sketch	NO	Description	Qty	Sketch
1	bolt (M8x70mm)	8		2	Lock washer ($\Phi 8.5 \times \Phi 13 \text{mm}$)	8	
3	Flat washer ($\Phi 8.5 \times \Phi 19 \text{mm}$)	8		4	Allen key (4mm)	1	

DOVER TABLE WITH 18" BUTTERFLY LEAF

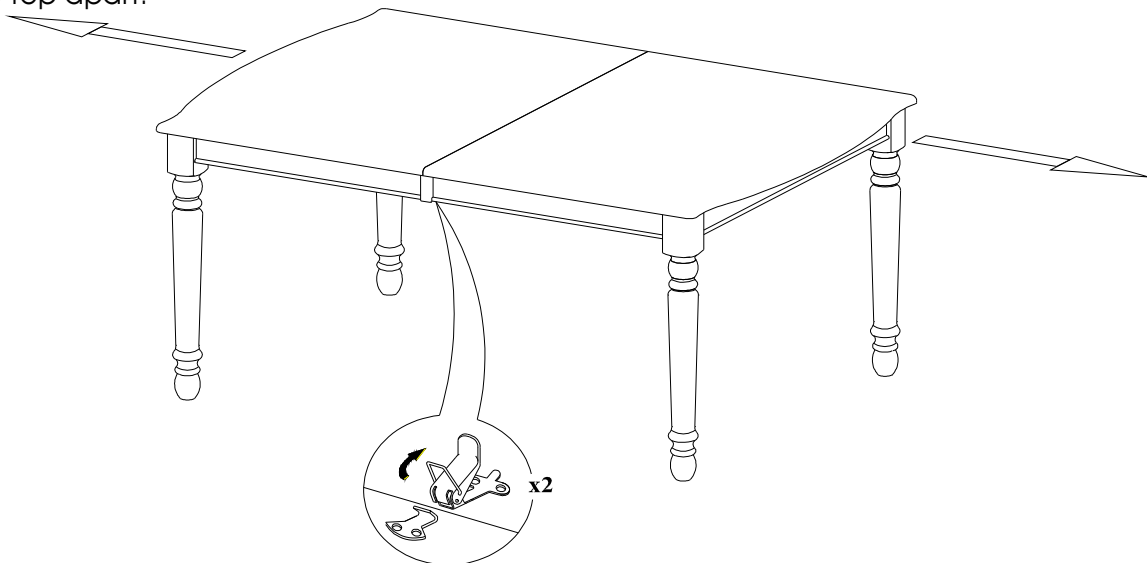
STEP 1

Place legs (B) in position as shown below. Use bolts (1) and washers (2),(3) to attach legs, tighten with the Allen key (4).



STEP 2

Unlatch 2 end pieces of table top by the latches underneath table top. Pull the 2 ends of the table top apart.



DOVER TABLE WITH 18" BUTTERFLY LEAF

STEP 3

Unfold the butterfly leaf with the apron at both ends straightened up as shown on the Step 3. Place flattened butterfly leaf at the center of the table. Then push two end pieces inward making sure all pins & holes aligned. Latch them together by the 4 latches underneath table top

