

ASSEMBLY INSTRUCTIONS

SKU: HANE



175 Southbelt Industrial Dr,
Houston, TX 77047
Email:sales@eastwestfurniture.net



Description: Hamilton Square Night Stand End

Table Product Dimension: 19.7"Wx15.7"Dx23.5"H

Cube Size	: 26.3"x17.5"x11"
NW	: 22 LBS
GW	: 24.2 LBS

Hamilton Square Night Stand End Table

BEFORE ASSEMBLY

Thank you for purchasing our product. This product has been designed for easy assembly and long lasting use. Please take the time to read and follow the assembly instructions carefully.

Be sure to check all packing material carefully for small parts which may have come loose inside the carton during shipment. Please separate, identify, and count all parts and metal hardware. Compare with part list to be sure all parts are present. If hardware is missing or you have difficulty assembling this product, please call for us.

IMPORTANT NOTE:

- Place all wooden parts on a clean and smooth surface such as a rug or carpet to avoid the parts from being scratched.
- Remove all wrapping material, including staples & packing straps before you start to assemble.
- DO NOT tighten all screws and bolts until completely assembled.
- Keep all hardware parts out of reach of children.

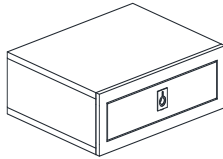

ASSEMBLY TOOLS REQUIRED

NOT INCLUDED





PART LIST

When unpacking, please be careful not to discard any parts with the packaging. Before continuing, please make sure you have the following parts:

NO	Description	Qty	Sketch	NO	Description	Qty	Sketch
A	CHEST	1		B	LEG	1	

HARDWARE LIST

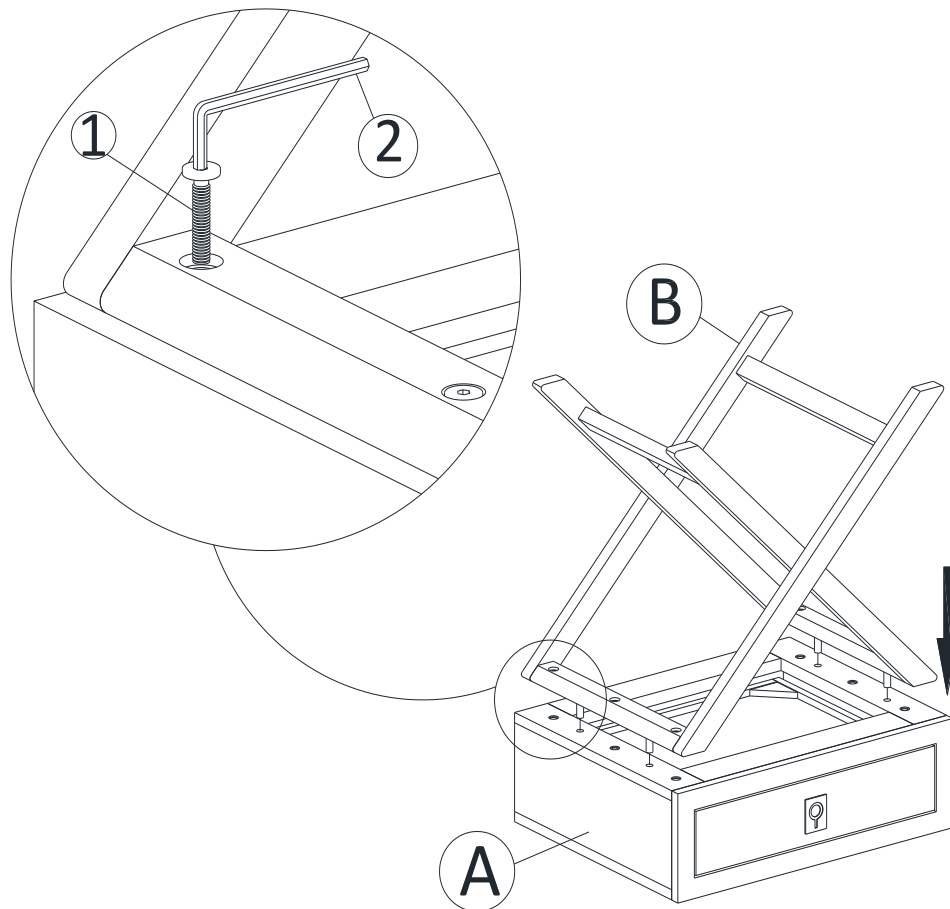
When unpacking, please be careful not to discard any parts with the packaging. Before continuing, please make sure you have all of the following hardware:

NO	Description	Qty	Sketch	NO	Description	Qty	Sketch
1	Long bolt (M6x35mm)	6		2	Allen Key (4mm)	1	

Hamilton Square Night Stand End Table

STEP 1

Attach Leg (B) to the Chest (A) by using bolts (1). Tighten with Allen Key (2).



ASSEMBLY IS COMPLETE