

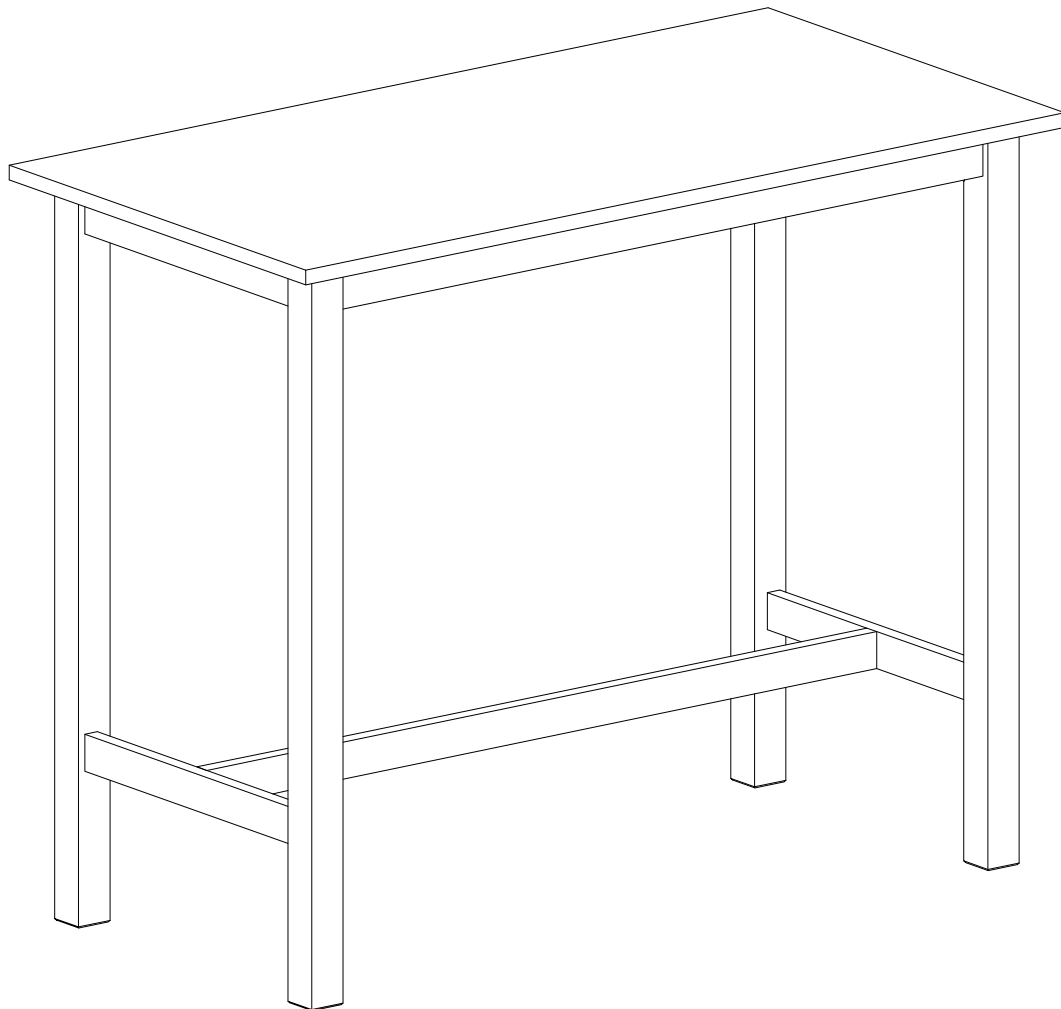
# ASSEMBLY INSTRUCTIONS

SKU: KATY 4-Table



175 Southbelt Industrial Dr,  
Houston, TX 77047

Email: [sales@eastwestfurniture.net](mailto:sales@eastwestfurniture.net)



Description : Katy Counter Height Table

Product Dimension : 47"Wx24"Dx36"H

Cube Size : 50.3" x27" x9"

NW : 85.8 LBS

GW : 94.6 LBS

*Katy Couter Height Table*

## BEFORE ASSEMBLY

Thank you for purchasing our product. This product has been designed for easy assembly and long lasting use. Please take the time to read and follow the assembly instructions carefully.

Be sure to check all packing material carefully for small parts which may have come loose inside the carton during shipment. Please separate, identify, and count all parts and metal hardware. Compare with part list to be sure all parts are present. If hardware is missing or you have difficulty assembling this product, please call for us.

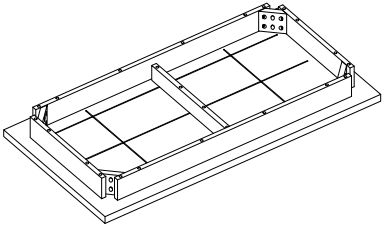
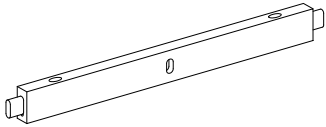
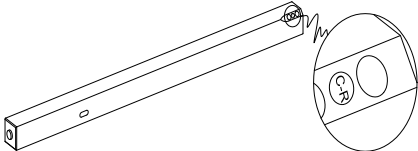
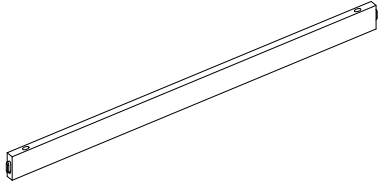
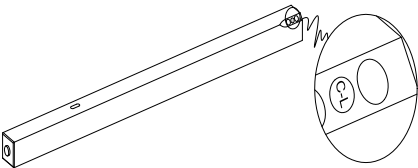
**IMPORTANT NOTE:**

- Place all wooden parts on a clean and smooth surface such as a rug or carpet to avoid the parts from being scratched.
- Remove all wrapping material, including staples & packing straps before you start to assemble.
- DO NOT tighten all screws and bolts until completely assembled.
- Keep all hardware parts out of reach of children.



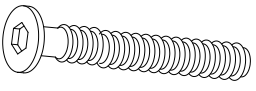
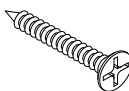



## PART LIST

When unpacking, please be careful not to discard any parts with the packaging. Before continuing, please make sure you have the following parts:

NO	Description	Qty	Sketch	NO	Description	Qty	Sketch
A	Top	1		B	Side Bar	2	
C-R	Legs Table	2		D	Crossbar	1	
C-L		2					

## HARDWARE LIST

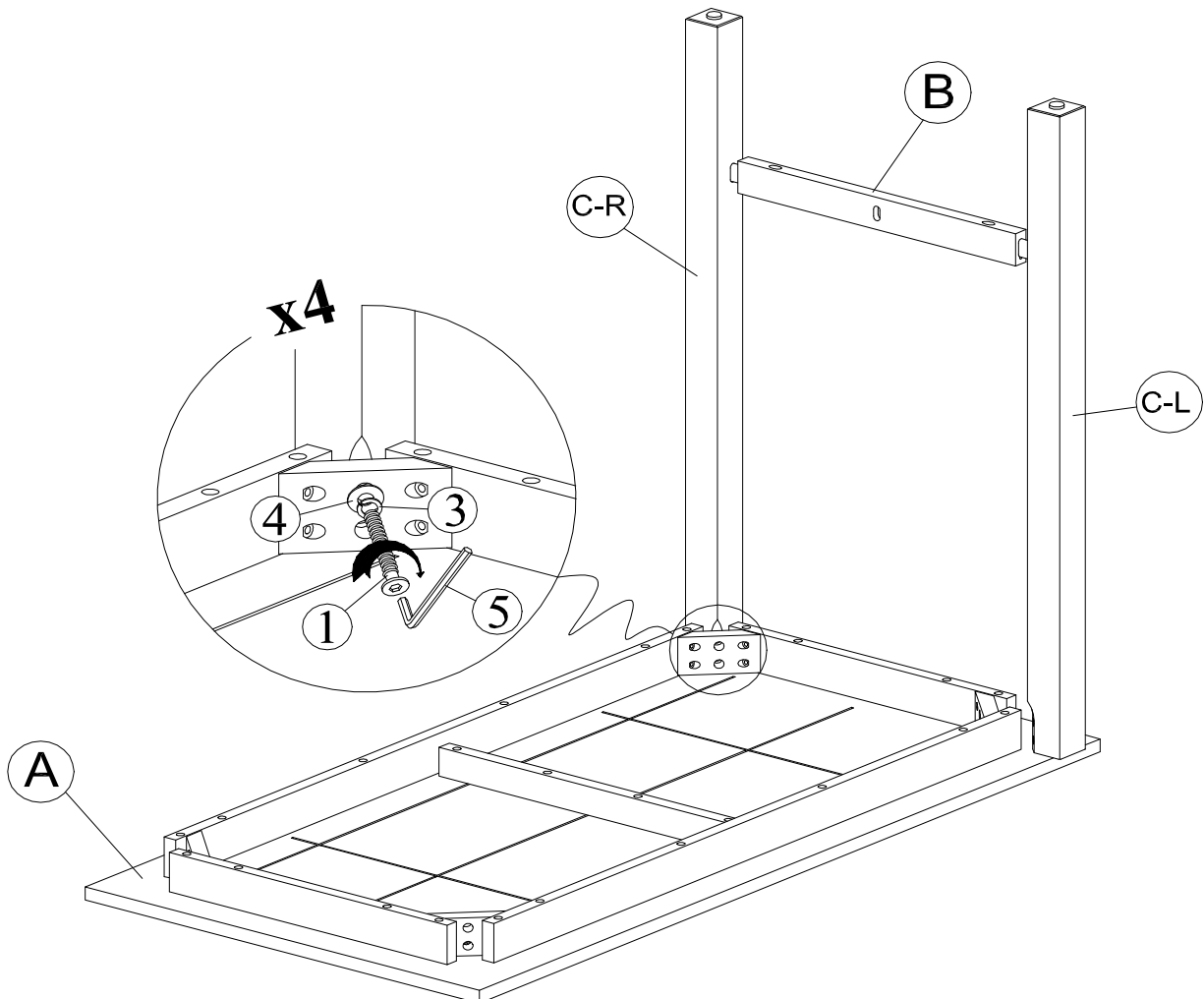
When unpacking, please be careful not to discard any parts with the packaging. Before continuing, please make sure you have all of the following hardware:

NO	Description	Qty	Sketch	NO	Description	Qty	Sketch
1	Bolt (M8x70mm)	8		2	Screw (M4x50mm)	6	
3	Lock Washer (Ø8.5x13mm)	8		4	Flat Washer (Ø8.5x19mm)	8	
5	Allen Key (4mm)	1					

### STEP 1

Attach Legs (C-R), (C-L) and Side Bar (B) to the Top (A) by using bolts (1) and washers (3), (4). Tighten with Allen Key (5).

**Note: DO NOT fully tighten any of the bolts until the table is completely assembled**



## STEP 2

Attach Leg (C-R), Side Bar (B) and Cross Bar (D) to the Top then attach the Leg (C-L) with bolts (1) and washers (3), (4). Tighten with Allen Key (5). Use the screw driver to tighten the screws (2) as shown below.

Note: Tighten all the Bolts

Screw Driver is not included in package

