



## BEFORE ASSEMBLY

Thank you for purchasing this quality product. This product has been designed for easy assembly and constructed for durability. Please take the time to read and follow the assembly instructions carefully.

Be sure to check all packing material carefully for small parts which may have come loose inside the carton during shipment. Please separate, identify, and count all parts and metal hardware. Compare with part list to be sure all parts are present.

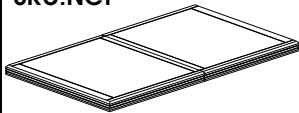
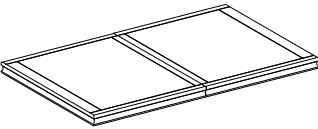

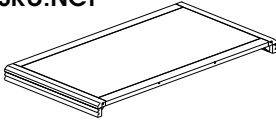
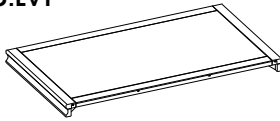

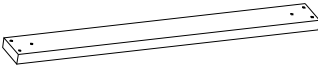
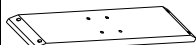
If hardware is missing or you have difficulty assembling this product, please call for us.

### IMPORTANT NOTE:

- Place all wooden parts on a clean and smooth surface such as a rug or carpet to avoid the parts from being scratched.
- Remove all wrapping material, including staples & packing straps before you start to assemble.
- DO NOT tighten all screws and bolts until completely assembled.
- Keep all hardware parts out of reach of children.










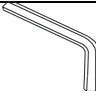


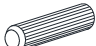
## PART LIST

When unpacking, please be careful not to discard any parts with the packaging. Before continuing, please make sure you have the following parts:

NO	Description	Qty	Sketch		NO	Description	Qty	Sketch
A	Table top	1	<b>SKU:NCT</b> 	<b>SKU:LVT</b> 	B	Pedestal column	2	
C	Leaf	1	<b>SKU:NCT</b> 	<b>SKU:LVT</b> 	D	Leg	2	
E	Cross Bar	1			F	Plate	2	

## HARDWARE LIST

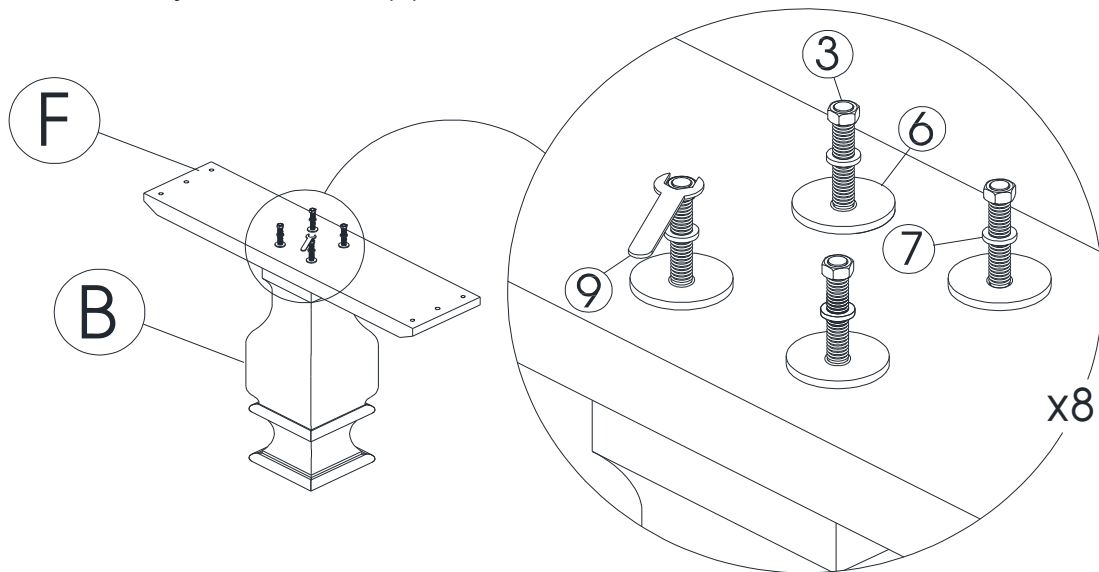
When unpacking, please be careful not to discard any parts with the packaging. Before continuing, please make sure you have all of the following hardware:

NO	Description	Qty	Sketch	NO	Description	Qty	Sketch
1	Short Bolt (M6x50)	6		2	Long Bolt (M8x80)	8	
3	Hexagon nut (M8x13mm)	8		4	Flat Washer (Ø6.5x19)	6	
5	Lock Washer (Ø6.5x9)	14		6	Flat Washer (2xØ8.5x30)	8	
7	Lock Washer (Ø8.5x13)	16		8	Flat Washer (Ø8.5x19)	8	
9	Wrench (M13mm)	1		10	Allen key (4mm)	1	
11	Flat Washer (Ø6.5x13)	8		12	Medium Bolt (M6x60)	8	
13	Dowel (Ø8x30)	4					

Northcliffe Acacia Dining Table - Laneville Acacia Dining Table

## STEP 1

Position Plate (F) on top of Column (B). Secure using Washers (6) and (7), and Nuts (3). Tighten the assembly with Wrench (9).

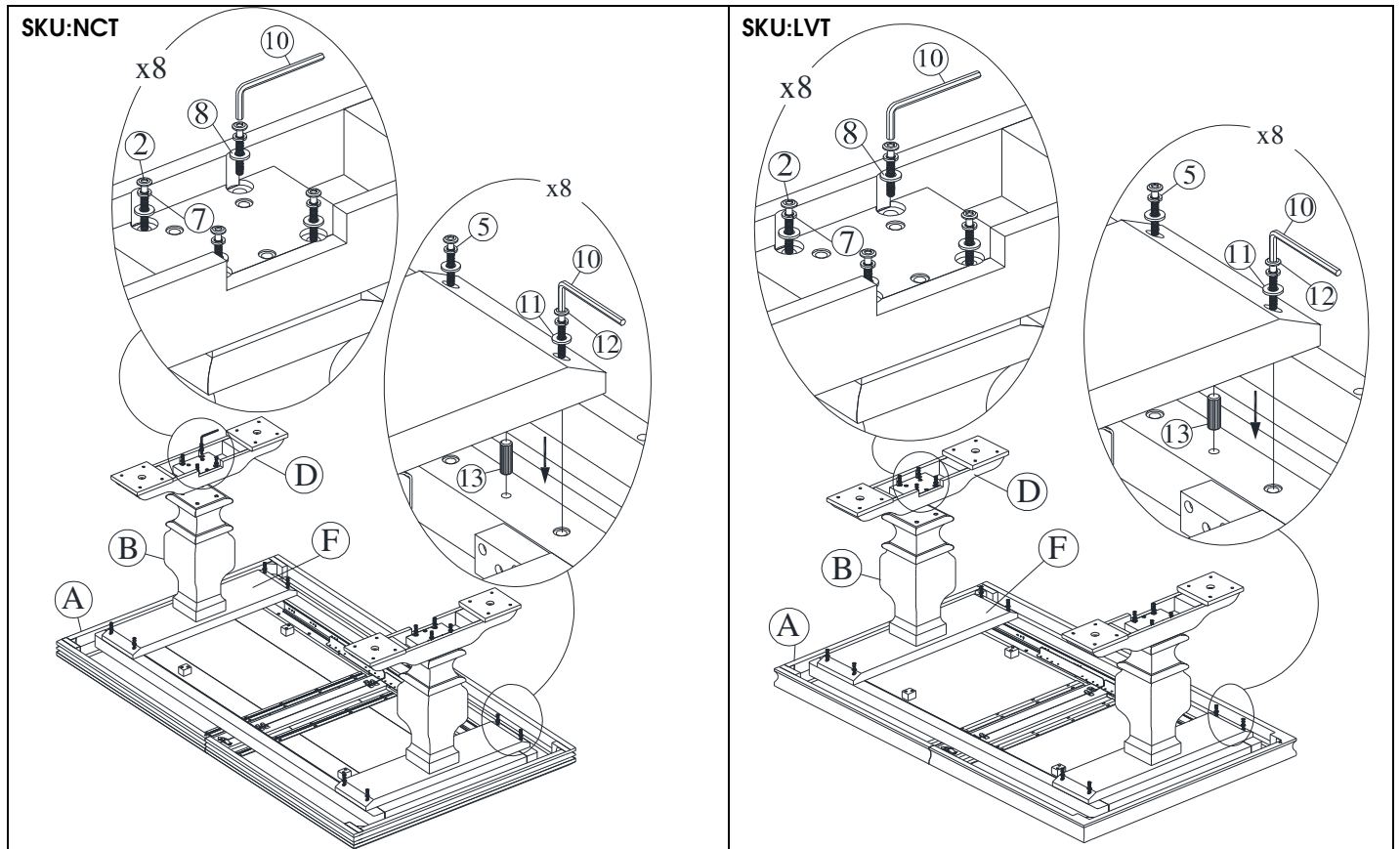


## STEP 2

1-Insert Dowel (13) into Table Top (A). Next, align and secure Plate (F) to Table Top (A) using Bolt (12) along with Washers (5) and (11).

2-Align Leg (D) with the Pedestal Column (B). Secure them together using Bolt (2) and Washers (7) and (8).

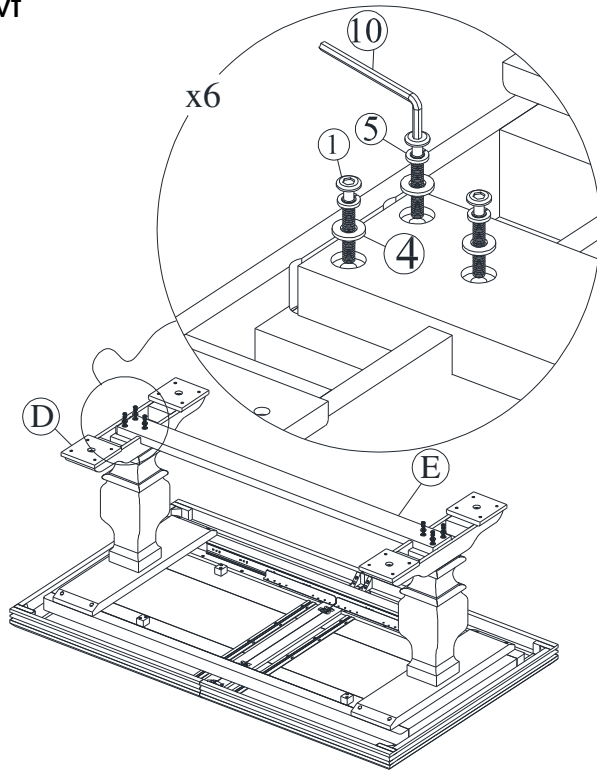
3-Ensure all components are firmly tightened using the provided Allen Key (10).



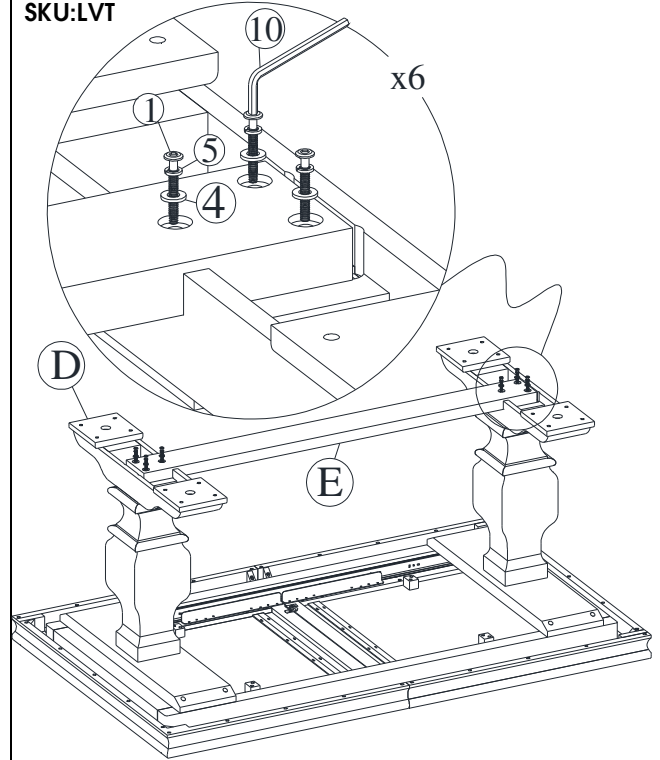
## STEP 3

- 1-Attach Crossbar (E) to Leg (D) using Bolt (1) and Washers (4) and (5).
- 2-Securely tighten all connections using the provided Allen Key (10).

SKU:NVT



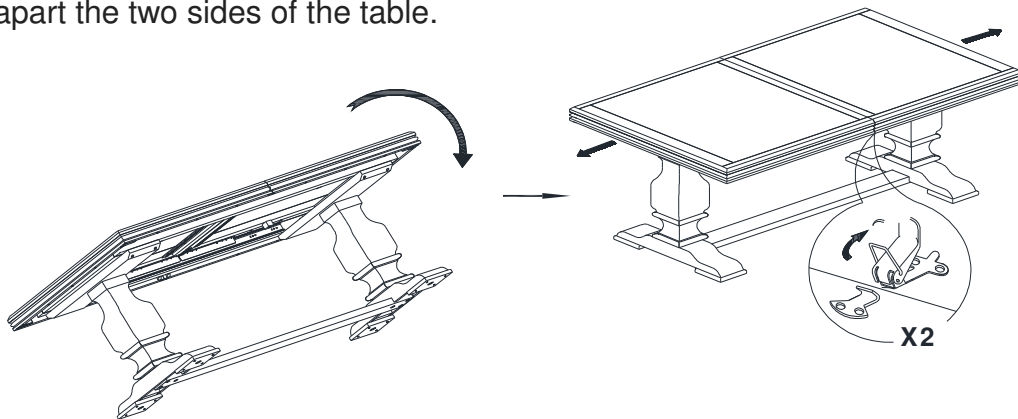
SKU:LVT



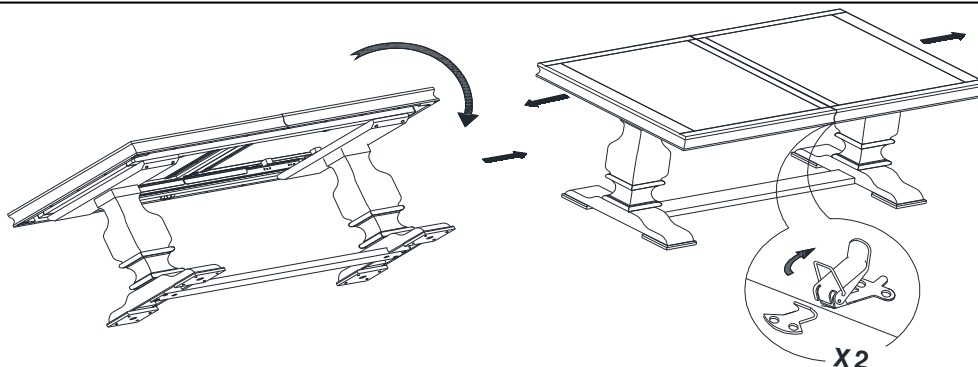
## STEP 4

Gently turn the table upright. To install the leaf, unlock the latches located beneath the Table Top, and pull apart the two sides of the table.

SKU:NCT



SKU:LVT

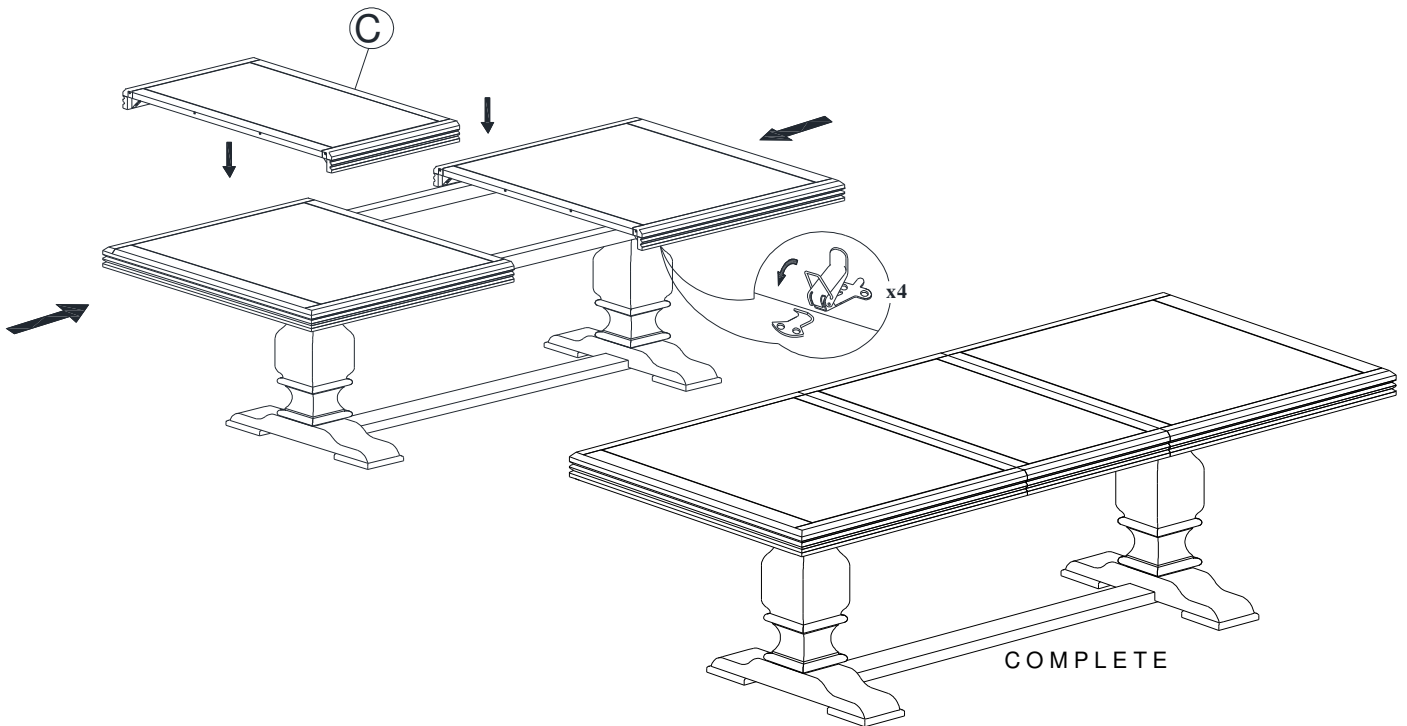


Northcliffe Acacia Dining Table - Laneville Acacia Dining Table

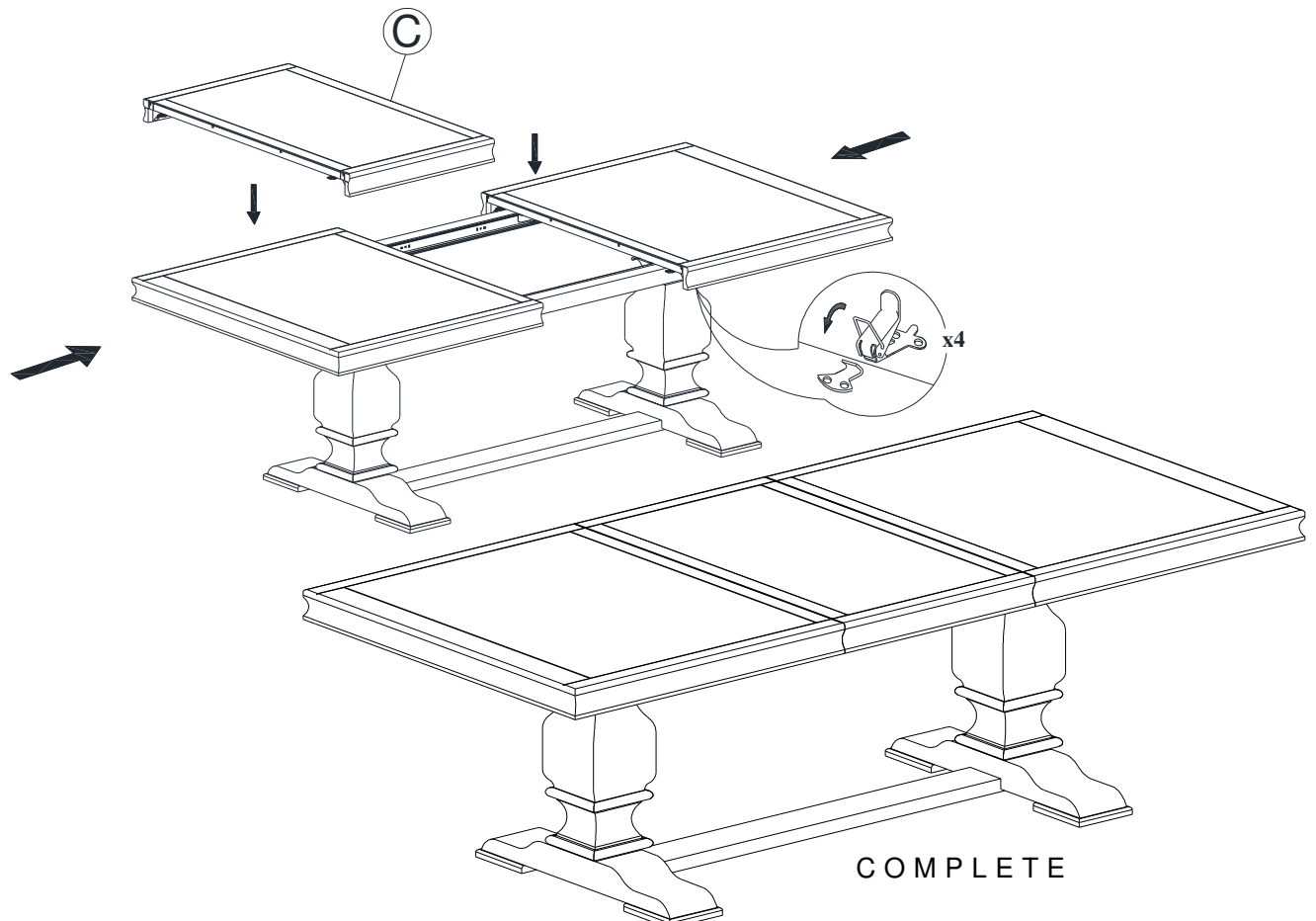
## STEP 5

Align the leaf (C) with the pins inserted into the holes on the ends of the Table Top. Push both ends in to close the Table Top. Secure the latches located underneath the Table Top.

SKU:NCT



SKU:LVT



Northcliffe Acacia Dining Table - Laneville Acacia Dining Table