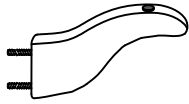


ASSEMBLY INSTRUCTIONS

1. BRANCH LEG

6 pieces



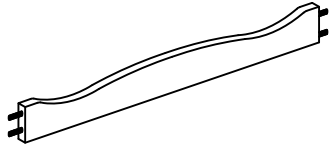
2. PEDESTAL

2 pieces



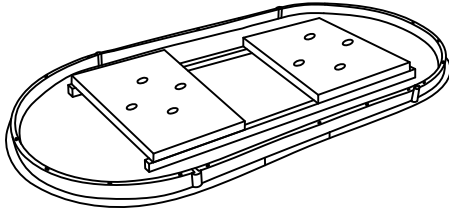
3. RAIL

1 piece



4. TABLE TOP

1 piece



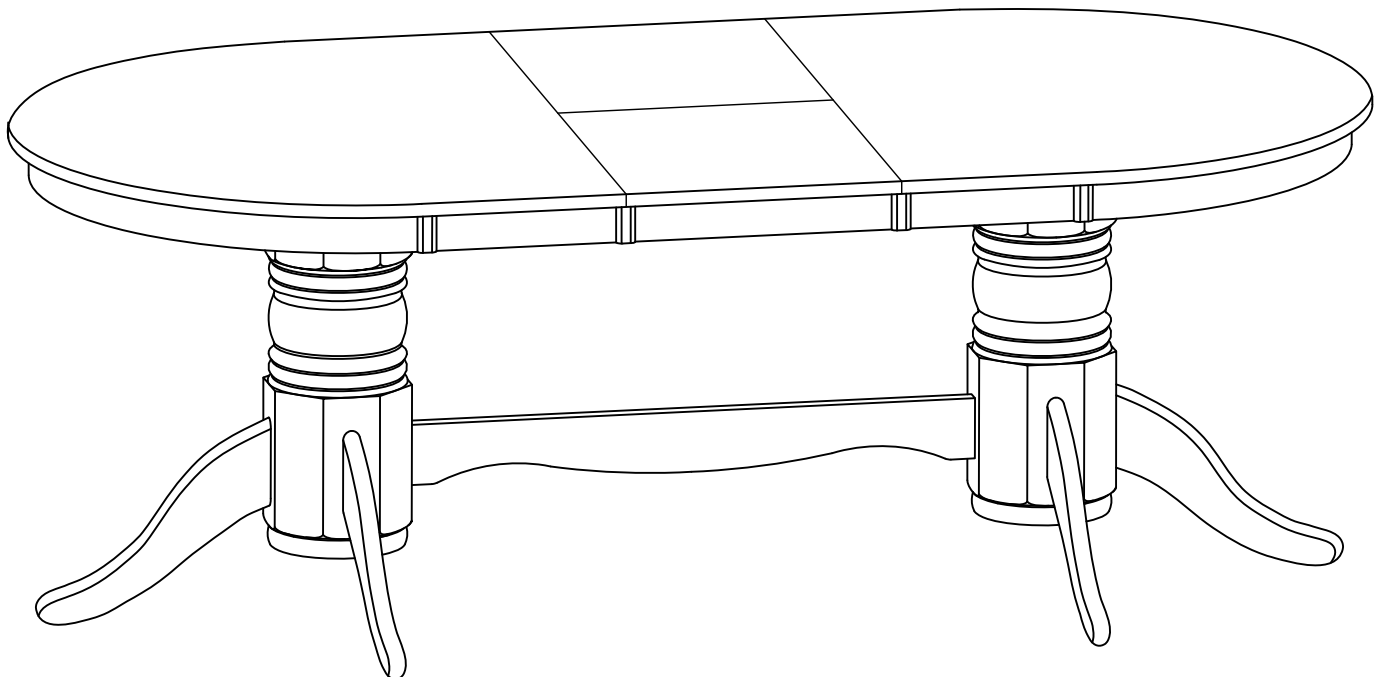
5. NUT AND WASHER

24 sets



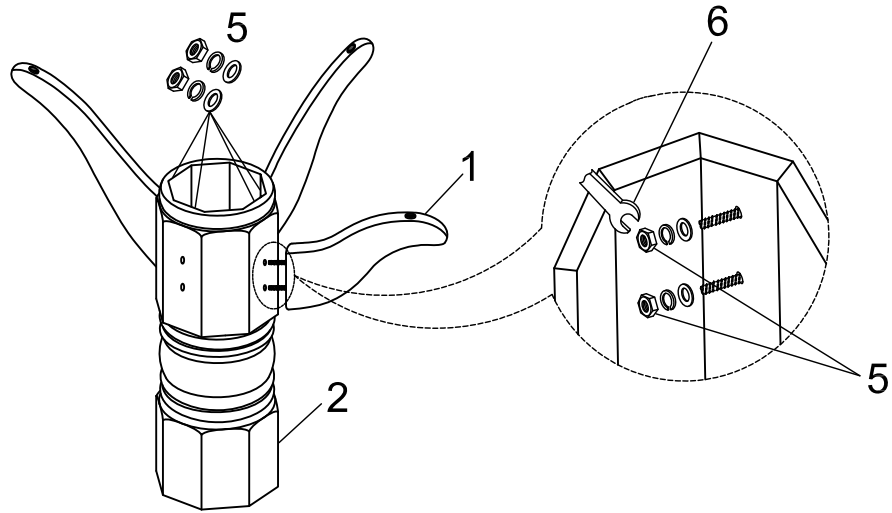
6. SPANNER

1 piece

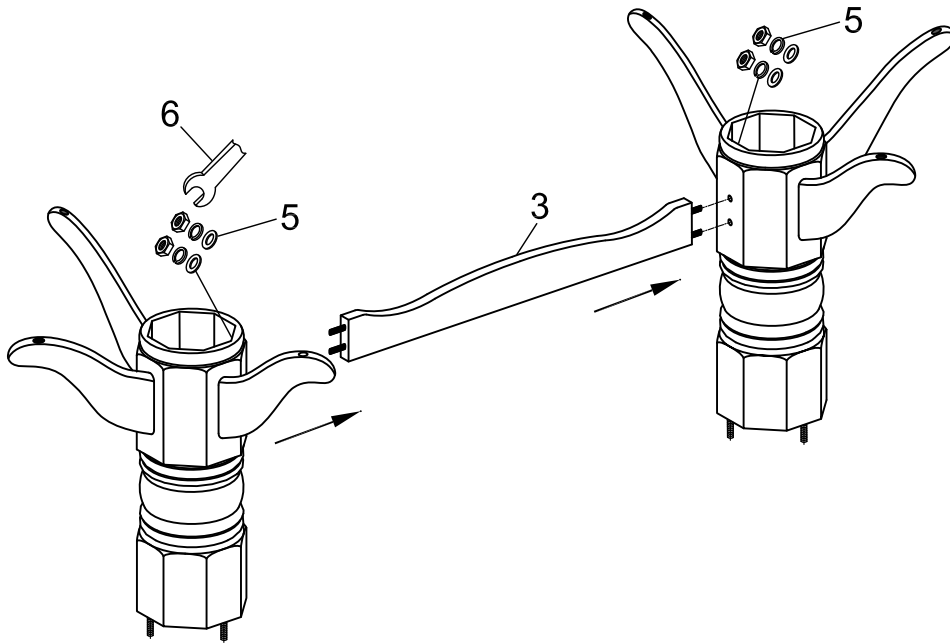


ASSEMBLY INSTRUCTIONS

STEP 1



STEP 2



STEP 3

